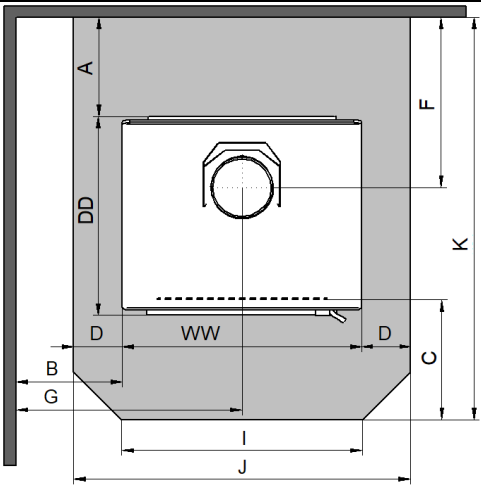
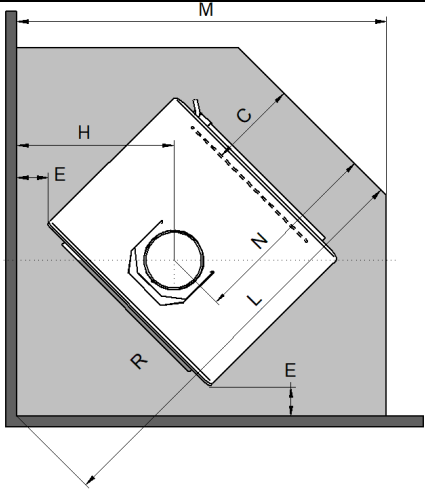


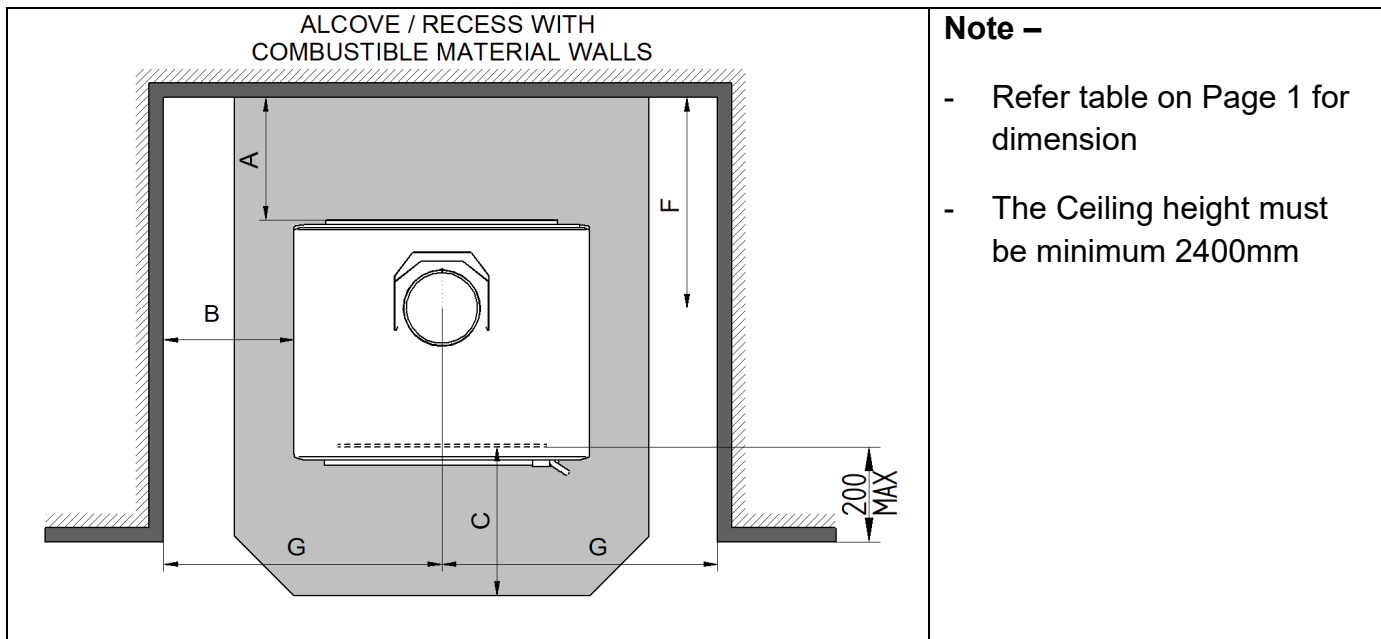
Masport Hurunui ULEB PED - Technical Specifications

(These instructions must be used in conjunction with the "General Installation Instructions" for Masport Fires)

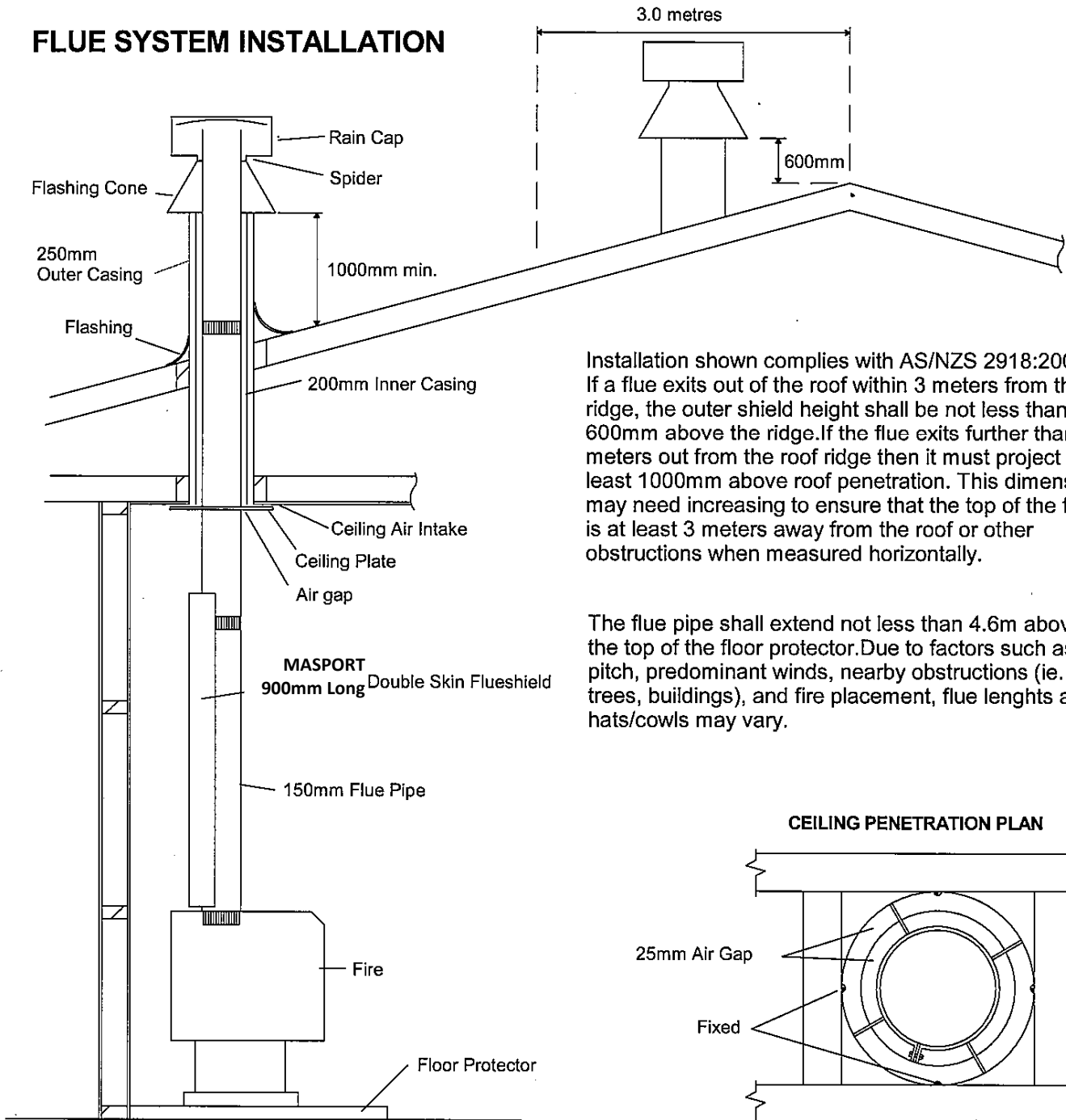
Hurunui burner model has been tested and complies with the following standards & tests:				
Environment Canterbury's Real-life test - Canterbury test method CM1				
NZ National Environmental Test Standards - AS/NZS 4012:2014 and AS/NZS 4013:2014.				
NZ National Environmental Safety Test Standard - AS/NZS 2918:2001				
Overall Dimensions	700mm Wide x 594mm Deep x 760mm High			
Net Weight of the Burner	130 kg			
Test Method	Emissions mg/MJ	Emissions g/kg	Efficiency %	Authorization No
Real-Life Test Canterbury Method V1.6 (ULEB)	31 mg/MJ	-	-	CRC 222641
National Environment Standard AS/NZS 4012/13:2014	-	0.55 g/kg	65%	CRC 222643
Approx. Heating Capacity	Medium to Large Homes (3~4 Bedrooms)			
Flue Shield	900mm Long Masport SS Double Flue Shield			
Flue System	Std 4.2M Long, 150mm Masport Flue System or Flue System that has been tested to and comply with AS/NZS 2918:2001 Appendix F ** For installation in Canterbury & South of Canterbury, we recommend extending 200 outer casings within 250~300 from flue termination. Also, we recommend not to use Masport Opti or equivalent flue kits in this area, as they take ceiling or external cold air and cool the flue casings, leading to accelerated creosote build-up in the main flue pipe.			
Floor Protector Requirement	Ash Floor Protector or equivalent. Masport Steel Floor Protector – 998903-Parallel or 998904-Corner			
Minimum Clearances to Combustibles: Parallel, Corner & Alcove configurations				
Parallel Installation		Corner Installation		
				
A- Rear Panel to Rear Wall	110 mm	C- Glass to Floor Protector Front	300 mm	
B-Cooktop Edge to Side Wall	225 mm	E- Cooktop Corner to Wall	85 mm	
C- Glass to Floor Protector Front	300 mm	H- Flue Centre to Wall	441 mm	
D- Floor Protector Side	100 mm	L- Floor Protector Diagonal	1262 mm	
F- Flue Centre to Rear Wall	306 mm	M- Floor Protector Side	1104 mm	
G- Flue Centre to Side Wall	575 mm	N- Flue Centre to Floor Protector Front	638 mm	
I- Floor Protector Front Edge	600 mm	R- Flue Centre to Wall Corner	624 mm	
J- Floor Protector Width	900 mm	WW- Overall Width of Fire	700 mm	
K- Floor Protector Depth	944 mm	DD- Overall Depth of Fire	594 mm	
		HH- Overall Height of Fire	760 mm	
Seismic Restraint - In New Zealand it is required that the wood burner and floor protector are secured to prevent shifting in the event of an earthquake. This is best done by fastening the wood burner right through the protector to the floor, using 8mm DynaBolts or 8mm coach screws or equivalent toggle fasteners for wooden floors of appropriate lengths. Seismic holes are at the rear of the burner.				

Hurunui Installation in Alcove/Recess situation

Hurunui burner models has been tested for alcove (recess) made of combustible material and complies as per safety standard AS/NZS 2918:2001



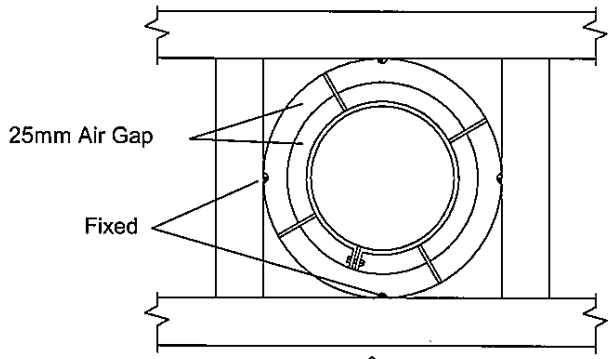
FLUE SYSTEM INSTALLATION



Installation shown complies with AS/NZS 2918:2001. If a flue exits out of the roof within 3 meters from the ridge, the outer shield height shall be not less than 600mm above the ridge. If the flue exits further than 3 meters out from the roof ridge then it must project at least 1000mm above roof penetration. This dimension may need increasing to ensure that the top of the flue is at least 3 meters away from the roof or other obstructions when measured horizontally.

The flue pipe shall extend not less than 4.6m above the top of the floor protector. Due to factors such as roof pitch, predominant winds, nearby obstructions (ie. trees, buildings), and fire placement, flue lengths and hats/cowls may vary.

CEILING PENETRATION PLAN



Above plan is valid only for flue manufactured by Glen Dimplex New Zealand Ltd

For other products, use specific flue installation specifications supplied by the manufacturer.

FLUE SYSTEM INSTALLATION 150mm