



## **INSTALLATION & OPERATION INSTRUCTIONS FOR MASPORT MATAKANA 1200 OUTDOOR FIRE & COOKING CENTER FOR NZ**



**THIS MANUAL CONTAINS IMPORTANT INFORMATION.  
PLEASE KEEP IT IN A SAFE PLACE FOR FUTURE REFERENCE.**

**READ ALL INSTRUCTIONS CAREFULLY BEFORE COMMENCING THE INSTALLATION.  
FAILURE TO FOLLOW MAY RESULT IN A FIRE HAZARD AND VOID THE WARRANTY.**

**Manufactured in New Zealand by:**  
GLEN DIMPLEX NEW ZEALAND LIMITED  
P.O. Box 58473, Botany, Manukau - 2163  
Ph: 0800 666 2824  
Fax: 09 274 8472  
Email: [sales@glendimplex.co.nz](mailto:sales@glendimplex.co.nz)  
Web: [www.glendimplex.co.nz](http://www.glendimplex.co.nz)

1st December 2020

Part No. 552278 V1.1

\*Glen Dimplex, New Zealand Ltd, reserves the right to change specifications, the content of this manual, or the design of its product without prior notice.

# CONTENTS

	<b>PAGE</b>
1.0 INTRODUCTION	2
1.1 WARNINGS	2
1.2 IMPORTANT SAFETY INFORMATION & CAUTIONS	3
2.0 INSTALLATION OF MATAKANA 1200 OUTDOOR FIRE	4
2.1 MAJOR STEPS FOR MASONRY INSTALLATION	4
2.2 MAJOR STEPS FOR BUILT-IN ZC INSTALLATION	4
2.3 ITEMS SUPPLIED WITH THE FIRE	4
2.4 ITEMS SUPPLIED WITH THE ZERO CLEARANCE KIT	5
2.5 HANDLING AND TRANSPORT	5
2.6 IMPORTANT CONSIDERATIONS REQUIRED FOR INSTALLATION OF MATAKANA 1200 FIRE	6
3.0 TECHNICAL SPECIFICATIONS FOR MASONRY INSTALL	8
3.1 CAVITY CONSTRUCTION	9
3.2 CLEARANCES TO COMBUSTIBLES	10
3.3 FLUE CONFIGURATION & FLASHING DETAILS	11
3.4 INSTALLATION STAGES	12
4.0 TECHNICAL SPECIFICATIONS FOR BUILT-IN INSTALL	13
4.1 TIMBER FRAME OVERALL DIMENSIONS	14
4.2 CLEARANCES TO COMBUSTIBLES	15
4.3 FLUE CONFIGURATION & FLASHING DETAILS	16
4.4 INSTALLATION STAGES	17
5.0 OPERATIONS OF MATAKANA 1200 OUTDOOR FIRE	24
5.1 IMPORTANT SAFETY WARNINGS & CAUTIONS	24
5.2 PERMITTED FUELS	25
5.3 TESTING WOOD MOISTURE	25
5.4 RECOMMENDED LOG SIZES & FIRE STARTERS	25
5.5 PREPARING BURNER FOR FIRST LIGHT-UP	26
5.6 FIRST LIGHT-UP	26
5.7 EXTINGUISHING THE FIRE	26
5.8 USING MATAKANA FOR COOKING	27
5.9 FIRST LIGHT-UP FOR COOKING	28
5.10 MATAKANA 1200 COOKING GUIDE & TIPS	28
5.11 USING WEATHER COVER	28
6.0 MAINTENANCE	29
7.0 TROUBLESHOOTING	30
WARRANTY REGISTRATION	32
WARRANTY	34

## **1.0 Introduction**

**Congratulations!** You are the owner of a state-of-the-art “**Masport Matakana 1200**” Outdoor Fire and Cooking Centre designed and developed by Glen Dimplex New Zealand. Thank you for purchasing a Masport appliance.

An ever-increasing demand for outdoor living spaces, and the importance of bringing people together, has spurred Masport Heating to create the Matakana 1200. Drawing inspiration from one of New Zealand’s popular getaway spots, the Matakana 1200 Outdoor Fire represents a picturesque region known for its farmers market, boutique food, pizzas, and spectacular vineyards – an entertainer’s haven.

The **Matakana 1200 Outdoor Fire and Cooking Centre** offers the warmth of an open fire and provides cooking facilities on its cast-iron hot plate and grill or its substantial pizza oven.

The Matakana 1200 Outdoor can be installed in a custom-built sound masonry base & chimney or a timber-framed enclosure using a ‘Zero Clearance’ kit. Also, The Matakana 1200 Outdoor fire is tested to and comply with AS/NZS 2918:2001, Appendix B, for installation in a timber-framed enclosure along with a ‘Zero Clearance’ box kit.

To make the most of your appliance, it is important to install, operate, and maintain the burner correctly. Glen Dimplex New Zealand strongly recommends using NZHHA certified installers for advice and actual installation of this appliance. Visit [www.homeheat.co.nz](http://www.homeheat.co.nz) to find the registered installers in your area.

Please take the time and read this installation and operations manual **carefully** before installing or operating your Matakana 1200 Outdoor Fire and Cooking Centre.

## **1.1 Warnings**

- The installation of the Matakana 1200 Outdoor fire may require building consent before installation commencing. Check with your local building authority whether there are any additional requirements before beginning installation.
- The Matakana 1200 outdoor fire and flue system shall be installed in accordance with AS/NZS 2918:2001 and appropriate requirements of the relevant local building codes.
- Glen Dimplex highly recommends NZHHA trained SFAIT (Solid Fuel Appliance Installation technician) installer to install Matakana 1200 outdoor fire. Your dealer or heating specialist will be able to help with recommendations and advice on permits/consents required for the installation in your area. or see [www.homeheat.co.nz/members](http://www.homeheat.co.nz/members) for a certified NZHHA SFAIT installer in your area.
- Please read carefully all the installation dimensions and recommendations provided in this manual.
- The performance of Matakana 1200 outdoor fire can be affected by altering the appliance. Also, modifying the dimensional specification of components may result in hazardous conditions. Hence where such action is required, the manufacturer should be consulted in the first instance.
- Please ensure that only components approved by Glen Dimplex New Zealand are used for the installation, as substitutes may adversely affect performance and might nullify compliance with the requirements of AS/NZS 2918 safety standard.
- Matakana 1200 Outdoor fire and flue system must be serviced at least once a year or more frequently depending upon usage.

## **1.2 Important Safety Information and Cautions**

- This appliance is not intended for use by persons (including children) with reduced physical, sensory, or mental capabilities or lack of experience and knowledge unless they have been given supervision or instruction concerning use of the appliance by a person responsible for their safety.
- Please do not leave children unattended near the alighted fire and keep them well away from the fire when in use. Supervise young children to ensure that they do not play with the appliance.
- The operator is responsible for the safety of all third parties while this appliance is in use. Onlookers should be kept a safe distance away from the appliance.
- Do not leave the appliance unattended when it is alight, and the operator should remain near the appliance at all the times it is alight or pay attention to the food being cooked.
- The use of alcohol, prescription, or non-prescription drugs may impair the consumer's ability to use this appliance safely.
- Parts of the appliance do get extremely hot and could cause severe burns. Use gloves provided while the unit is in operation.
- Do not use flammable liquids or aerosols to start or rekindle the fire. Also, do not use such flammable materials near this appliance when it is operating.
- Always keep clothing, firewood, furnishing, and other combustible materials at a safe distance from the fire.
- Do not attempt to clean or maintain the fire when in use or with hot embers in the firebox. Ensure that embers and all other parts of the fire have cooled down completely before starting ash removal or other maintenance.
- Do not use the fire if there is a malfunction, a suspicion of breakage, or unusual noises. Contact your nearest Glen Dimplex dealer or customer service team at Glen Dimplex New Zealand.
- This appliance should always be installed, operated & maintained as per instructions given in this manual.

**Failure to follow above warnings, cautionary measures and instruction given in this installation and operation manual will void the Glen Dimplex warranty of this product and may void your fire insurance.**

## **2.0 Installation of Matakana 1200 Outdoor Fire**

The Matakana 1200 fire is designed for outdoor use only and should not be specified or installed in the envelope of a building. Failure to follow installation instructions may result in fire damage and void any warranties.

### **2.1 Major Steps for Non-combustible Masonry Installation**

Installation of Matakana 1200 Outdoor fire in the non-combustible masonry cavity involves the following major steps:

1. Read all warnings, cautions, instructions and understand how Matakana 1200 outdoor fire works
2. Evaluate the location of fire, flue, hearth, fresh air-input, and flue system requirements depending upon the masonry structure you choose to build.
3. Build Masonry plinth or base
4. Unpack fire, gather and other removable parts for ease of handling
5. Locate and fix firebox to the plinth
6. Install the flue system
7. Complete masonry cavity with top capping and cladding
8. Complete the floor protector
9. Install all the removed components
10. Check install is correct.

### **2.2 Major Steps for Built-In (timber framed) Zero Clearance Installation**

Installation of Matakana 1200 Outdoor fire in the built-in timber frame involves the following major steps:

1. Read all warnings, cautions, instructions and understand how Matakana 1200 outdoor fire works
2. Evaluate the location of fire, flue system, hearth, ventilation of the cavity, wood storage and cladding requirements depending upon the timber framing installation.
3. Build the base frame using H3.2 or higher grade dressed timber with dimension 90x45 only. Maintain critical dimensions, particularly inside.
4. Unpack fire, gather and other removable parts for ease of handling
5. Install the supplied galvanized channel frame onto the timber base frame and then the base of the ZC box.
6. Locate and fix firebox to the base.
7. Assemble ZC box around the fire.
8. Build the outer frame to required height and chimney chase if required
9. Build the wood storage compartment if required.
10. Install the flue system partially.
11. Complete cladding, floor protector and flue termination.
12. Install back all the removed components.
13. Check install is correct.

### **2.3 Items supplied with the fire**

Matakana 1200 firebox and the fascia are assembled and are crated on the pallet. The zero clearance box for in-built installation comes crated on a separate pallet.

- 1 x each of cast iron cooking plate and grill
- 1 x St/St cooking frame
- 2 x St/St cooking frame adjustable brackets
- 1 x St/St weather protection cover
- 1 x Installation & operations manual
- 1 x Pair of gloves
- 1 x Touch-up paint spray can

**The touch-up paint spray contains a highly flammable liquid that can cause a flash fire and hazardous vapors. Please remove it from the packing and store it safely, out of reach of children as soon as the fire is uncrated.**

## **2.4 Items Supplied With The Zero Clearance Kit**

Additional zero clearance kit or ZC Box is required for installation of Matakana 1200 fire into timber framed cavity. The zero clearance box for in-built installation of Matakana 1200 comes on a separate pallet and contains the following items.

- 4 x ZC Metal Welded Legs Sub-Assy
- 2 x ZC Metal Frame - Short Base Channel
- 2 x ZC Metal Frame - Long Base Channel
- 1 x ZC Base Sub-assembly
- 1 x ZC Side LH Sub-assembly
- 1 x ZC Side RH Sub-assembly
- 1 x ZC Rear LH Sub-assembly
- 1 x ZC Rear RH Sub-assembly
- 1 x ZC Front Sub-assembly
- 1 x ZC Top Inner Heat Shield
- 1 x ZC Top Outer Cover Panel
- 1 x ZC Front Top Sub-assembly
- 1 x ZC Flue Adaptor Sub-assembly
- 1 x ZC Metal Angle for Front Cladding Support
- Hardware
  - o 60 x 8G x ½" Hex Pozi Black (521643)
  - o 4 x Self Tapper 12G x 25 Taptite. (521637)
  - o 4+12 x M8x20 Hex Screw ZP (521066)
  - o 4+12x M8 Washer ZP (523034)
  - o 12 x M8 Nuts (522118)
  - o 16 x Wood Screw (521651)

## **2.5 Handling and Transport**

The Matakana 1200 outdoor fire and related components are heavy and tall in size. The fire weighs around 290 kg and 330 kg along with the ZC box. Hence, Glen Dimplex advises that safe working practices and appropriate lifting equipment be used to install this unit to avoid accident or injury. All precautions have been taken during the designing of packaging so that the fire reaches the customer's house without any damage. In case any damage is found while de-crating the fire, please report it to your dealer or Glen Dimplex immediately before installing the fire.

To ease the handling, take out all the loose parts and keep them aside in a safe place. The following parts can be dismantled to reduce weight: Weather protection cover, main door, rear protection steel bricks, the cooking tray with grill and plate, fire tray, gather and baffle.

- Remove weather cover by unlatching the two quarter-turn locks
- To remove the main door, first, open the door slightly. Keeping it almost parallel to the face of the fire, lift the left bottom of the door to disengage the hinge rod from the bottom bracket. Then tilt the entire door to disengage from the top slot
- The main fire tray is bolted to the side rail on each left and right side of the firebox. Unscrew two sets of M8 nut-bolts and then slide the main fire tray out of the firebox.
- After removing the main fire tray, the screws that hold the rear steel bricks will be visible. Unscrew the button head Allen screw and then lift the steel bricks to unhook from the hooks on the firebox's back wall.
- The front of the baffle is attached to the front top plate by a screw. At the rear, it rests into slots on the top of the firebox's rear wall. First, remove the front screw and then lift the rear to remove the baffle. Slide the baffle to either right or left till it is well clear off the top bracket. Tilt and drop down to remove the baffle out of the firebox.
- The fire box's gather is screwed to the firebox top by 12 x M6 Allan screws. Unscrew and lift the entire gather assembly along with the Rockwool insulating blanket. Do not remove the blankets; the fire must be installed with the blankets.

## **2.6 Important Considerations Required For Installation of Matakana 1200 Fire**

**Read this section thoroughly to plan the desired installation of the Matakana 1200 fire.**

### **Location**

- Evaluate the location of your outdoor fire, surroundings, and neighboring properties.
- The land's topography has a bearing on how the wind and overall environment will affect the fire and the flue system.
- It is essential to decide the type of install structure, masonry, or built-in timber-framed. Also, decide on the cladding options for finishing and weatherproofing.
- Consider surrounding trees, neighboring property boundaries, buildings, or wooden fences. Locate the Matakana 1200 installation structures at a safe distance from the combustible objects, trees, shrubs, wood storage piles, buildings, property boundaries, or wooden fences.

### **Elevation of fire**

- Decide the height of the fire install from the ground.
- It is recommended that Matakana 1200 be installed 550~800mm above the ground to have easy access and convenience required for cooking,
- The floor protector requirement depends upon the elevation of fire above ground.

### **Floor protector**

- For an elevated installation of 350mm and more above the ground, only ash floor protector is required and should extend a minimum 400mm out from the front wall face of the masonry or built-in structure.
- For installation below 350mm height, the floor must be non-combustible and should extend a minimum of 650mm out from the front wall of the masonry or built-in structure.
- Ash floor protectors must be constructed of non-combustible material such as fiber cement board (e.g., Hardies Tile & Slate underlay), steel sheet, or equivalent. The minimum width of the floor protector should be 1700mm.
- Larger and thicker floor protectors can be constructed for aesthetic purposes.

### **Ventilation of the cavity – Fresh air inlet vents**

- Ventilation of the masonry or built-in cavity is a requirement for the efficient and safe operation of Matakana 1200 outdoor fire. The ventilation inlet opening should be positioned as low as possible in the cavity. The ventilation outlet at the top can be via additional casings or the outlet opening close to the top of the cavity or chimney chase.
- The total open area of the fresh air inlet vent at the bottom of the cavity should be a minimum of 50,000 mm<sup>2</sup>. E.g., Use two cutouts of size 250x200 with 50% open mesh.
- The top of the fresh air intake vents must be not more than 250mm above the fire's base.
- Inlet vents can be on the sides, rear, or bottom of the cavity. Symmetry in venting is preferred.
- Vents can be of any size or shape as long as the required total open area is maintained.
- The exterior vents must be covered with an appropriate mesh or similar to prevent vermin from entering the cavity, made weatherproof, and meet the local building code requirements.

### **Ventilation of the cavity – Warm air outlets vents**

- The ventilation outlet opening at the top should be a minimum of 30,000 mm<sup>2</sup>. E.g., Use two cutouts of size 300x100 with 50% open mesh.
- Vents can be of any size or shape as long as the required total open area is maintained.
- The exterior vents must be covered with an appropriate mesh or similar to prevent vermin from entering the cavity, made weatherproof, and meet the local building code requirements.
- Alternatively, the cavity or the chimney chase can be vented at the top using additional flue casing. For masonry installation, 400mm casing will be required. For a built-in/ZC installation, 450 casing will be required.

### **Masonry cavity**

- All masonry construction and cladding must be constructed to suit an outdoor environment as per the NZ building code.
- Use minimum 75mm thick brick, Hebel, or concrete blocks for building masonry cavity



- 5mm gap is between the fire fascia, and the finished cavity opening needs to be maintained to allow for the expansion and contraction of the Matakana 1200's metal fire.
- All load-bearing structures must be engineered to bear the heavyweight of the Matakana 1200 Outdoor fire.

### **Built-in cavity**

- All timber framing and cladding must be constructed to suit an outdoor environment as per the NZ building code.
- The timber used for the built-in cavity must be a minimum of H3.2 grade with a minimum of 90x45mm cross-sections. The appropriate calculation should be worked out if the larger cross-section is used.
- All load-bearing structures must be engineered to bear the heavyweight of the Matakana 1200 Outdoor fire.

### **Cladding material for masonry cavity**

- Cladding over the masonry cavity can consist of any non-combustible material.
- For a plastered masonry cavity, it is recommended to use a fiberglass mesh with a latex-based solid plaster to minimize the chance of the solid plaster cracking. Consult a reliable solid plasterer for selecting appropriate materials.

### **Cladding material for timber-framed built-in cavity**

- Cladding on the entire front face of the built-in cavity must be a non-combustible material like a minimum 9mm Eterpan board or equivalent, ceramic tiles over fiber cement board, stone, or schist.
- The side and rear of the built-in cavity can be combustible with appropriate coating for weatherproofing.

### **Mantle shelf**

- Mantel shelf must be constructed of a non-combustible material.

### **Flue System**

- The flue system and related components are determined as per the type of cavity.
- Masonry cavity installation needs a minimum of one length of 1.2m long and 300mm dia main flue pipe and one length of 350mm dia casing along with the rain cap and the termination cowl. The masonry cavity top should have a non-combustible top plate or metal flashing with an adaptor for 400mm additional casing to vent the cavity.
- Built-in cavity installation needs a minimum of one length of 1.2 long and 300mm dia main flue pipe and one length each of 350mm dia and 400mm dia casings along with the rain cap and the termination cowl. Top of the built-in cavity or chimney chase must be non-combustible and ventilated either, using 450mm dia casing or side vent at the top of the cavity.
- **May require additional flue lengths depending upon the install's location, the height of the masonry/built-in timber-framed enclosure, or to achieve sufficient flue draft. Make sure the smoke is not likely to blow towards neighboring or adjacent properties. Use flue termination guidelines given in AS/NZS 2918:2001**
- All joints in the flue system should be sealed with a suitable high-temperature sealant or fire cement with operating temperatures greater than 500°C.
- The flue termination may require a spark arrestor depending upon the local building authority rule.

### **Wood storage under the fire.**

- Both masonry or built-in installation can have wood storage under the Matakana 1200 outdoor fire.
- In the masonry installation, the base/plinth of the fire should be a minimum of 140mm thick, designed & constructed with sufficient supports to bear the total weight of fire and the flue
- In the built-in installation, the top of the wood storage should have a minimum 50mm clearance from the base's metal frame.

**Read and refer detailed specifications and schematics given on following pages:**  
**Masonry Installation – Refer to the pages 8 to 12**  
**Built-In Installation – Refer to the pages 13 to 23**



### 3.0 Technical Specifications for Non-combustible Masonry Install

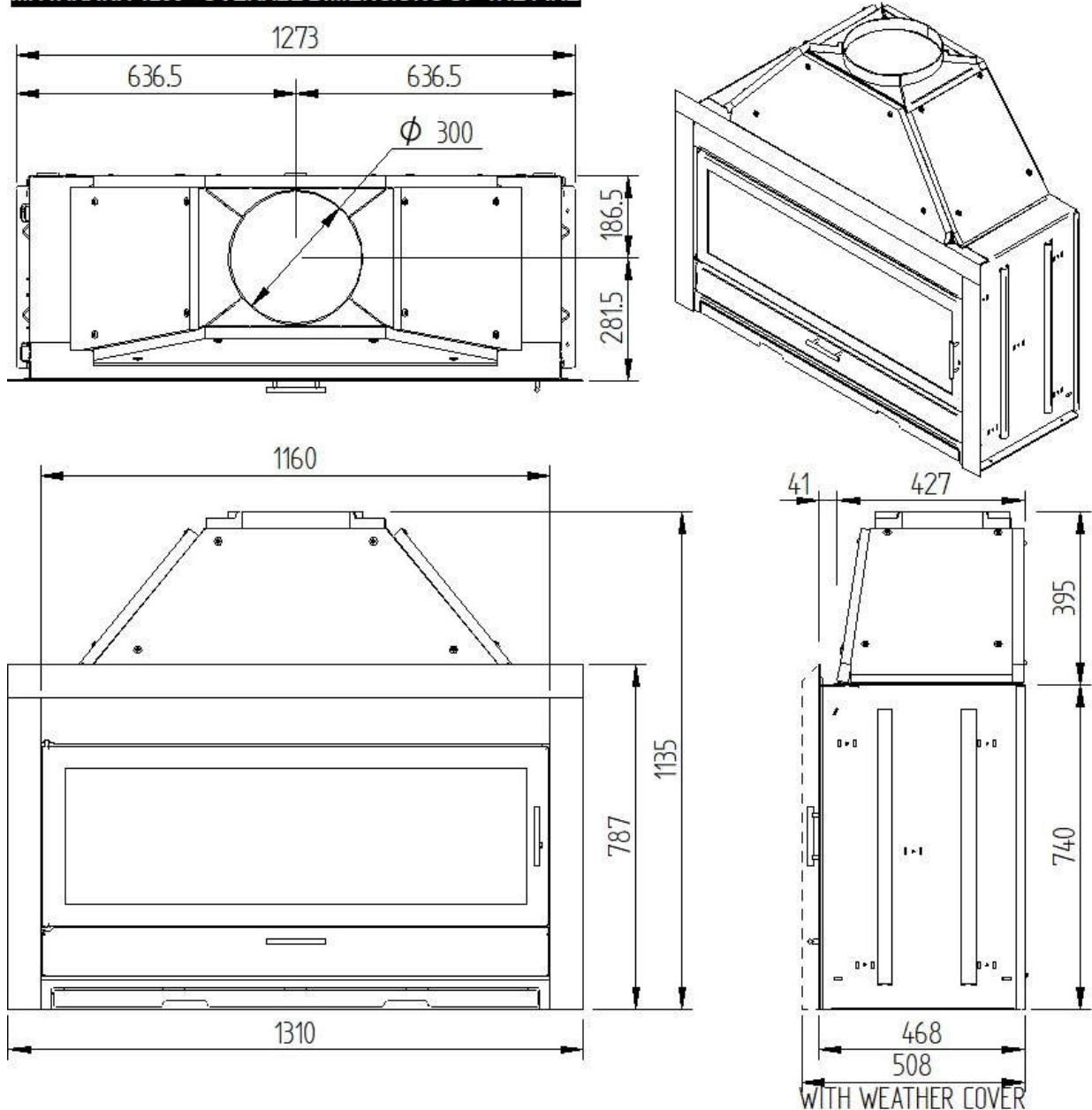
(Read all the instructions carefully before starting any building construction of the cavity)

Matakana 1200 is an outdoor cooking wood fire which can be used for both heating and cooking. **This appliance is designed for outdoor use only.** Consult your respective local council for clarification on rules appertaining to the installation of outdoor wood-fire appliances.

Matakana 1200 cooking center has been tested to and complies with wood burner safety standard - AS/NZS 2918:2018

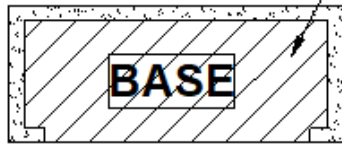
Overall Weight of Firebox	290 kg
Overall Fire Size :	1310mm W x 468mm D* x 1135mm H *Note – The depth of fire, including weather cover, is 508mm
Overall Fascia Size :	1310mm W x 787mm H x 3mm thick

**MATAKANA 1200 - OVERALL DIMENSIONS OF THE FIRE**



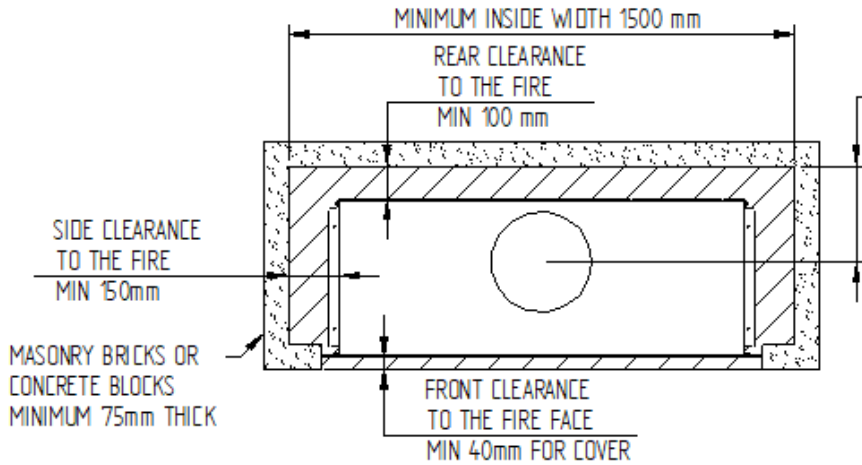
<b>Flue System for Masonry Install :</b>	Minimum 1 x 1.2m long and 300mm dia flue pipe, 1 x 1.2m long and 350mm dia flue casing, 400mm dia casing for venting the masonry cavity, rain cap and termination cowl. Flue System installation should be compliant to AS/NZS 2918:2001. May require a spark arrestor depending upon the local building authority rules.
--	---

# MASONRY INSTALL CAVITY CONSTRUCTION

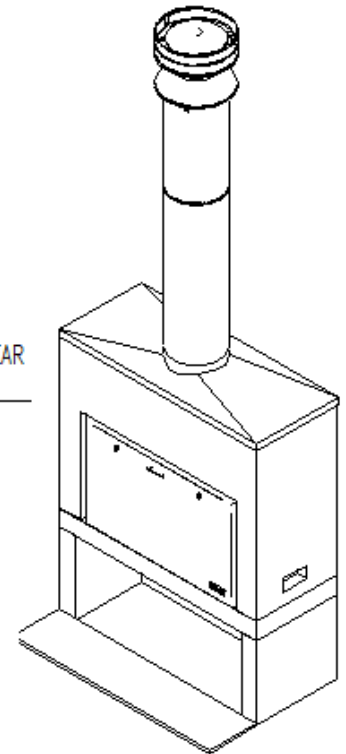


BASE MUST BE SUITABLE TO SUPPORT THE WEIGHT OF THE FIRE AND THE FLUE SYSTEM MORE THAN 300 kg

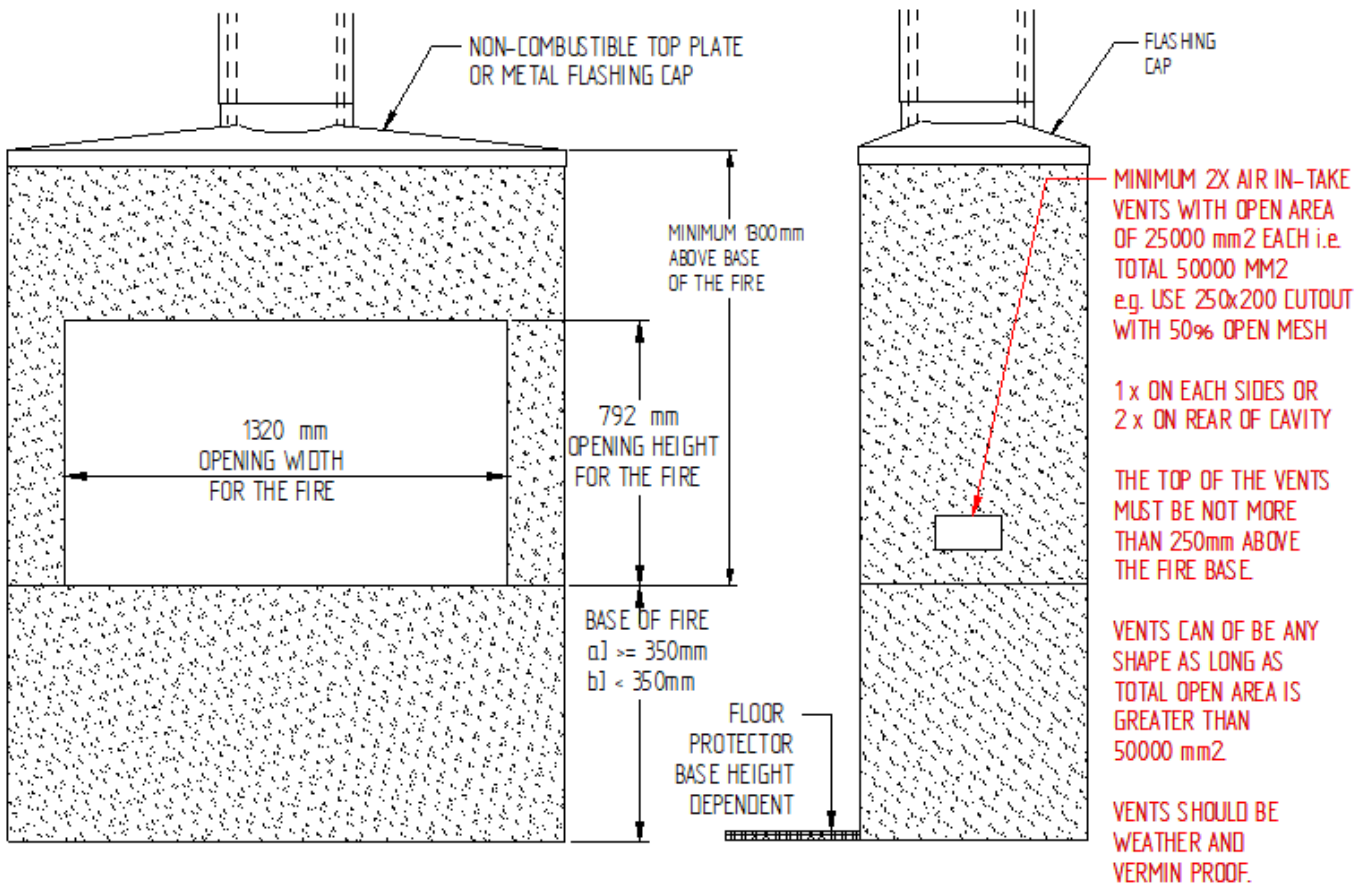
MASONRY BRICKS OR CONCRETE BLOCKS MINIMUM 75mm THICK



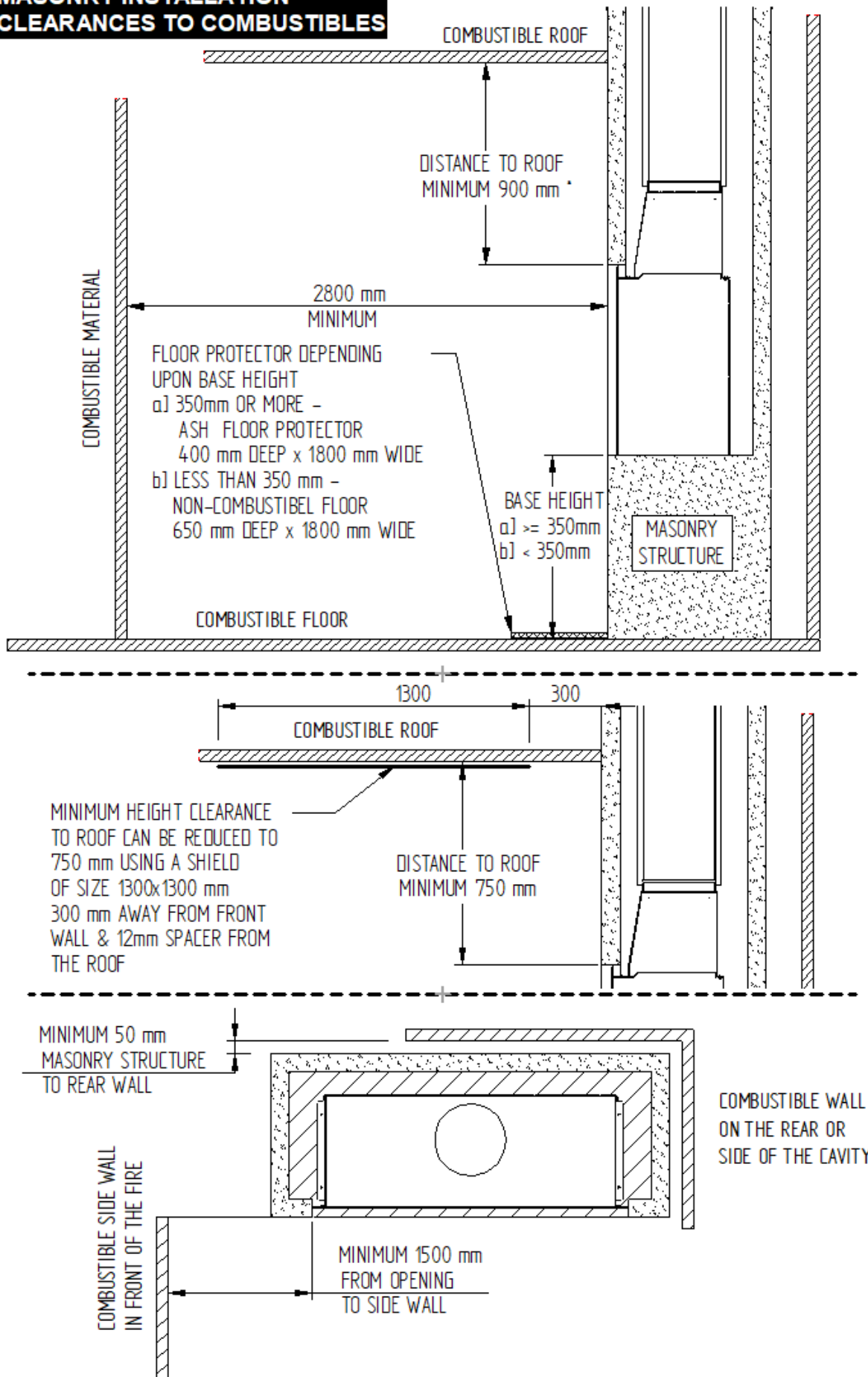
287mm REAR TO FLUE CENTER



**IMPORTANT** - WORK OUT OUTSIDE DIMENSION OF THE CAVITY DEPENDING UPON THE MATERIAL, IT'S THICKNESS, INSIDE CLEARANCES REQUIRED, CLADDING MATERIAL, AND FRONT MIN 40mm FLAT LANDING NEEDED FOR WEATHER COVER.

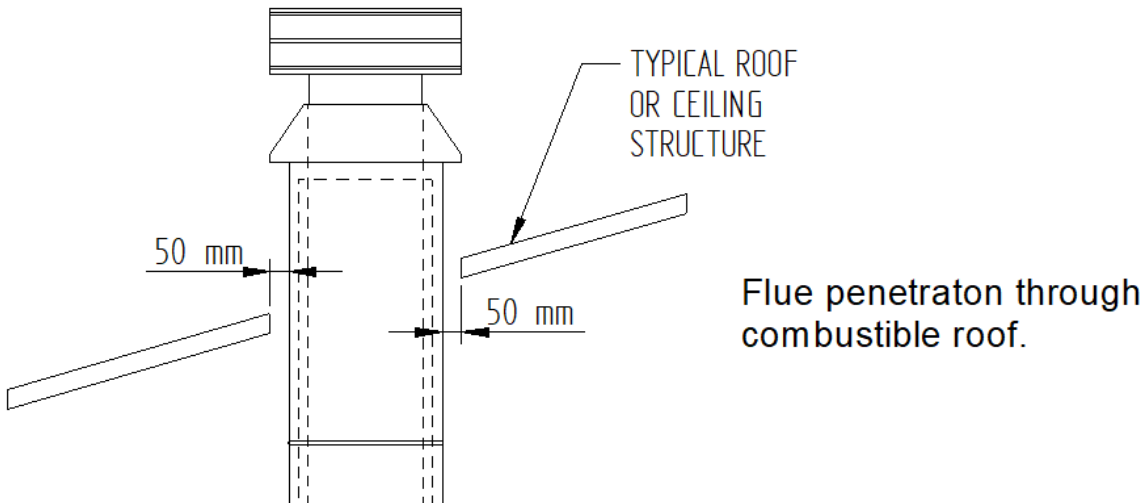
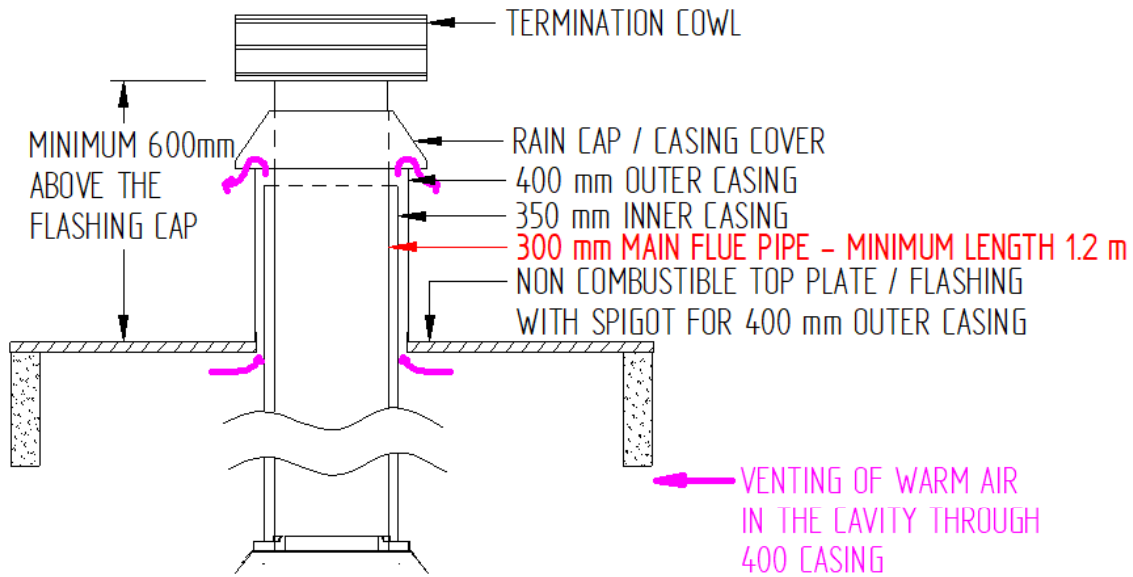


# MASONRY INSTALLATION CLEARANCES TO COMBUSTIBLES

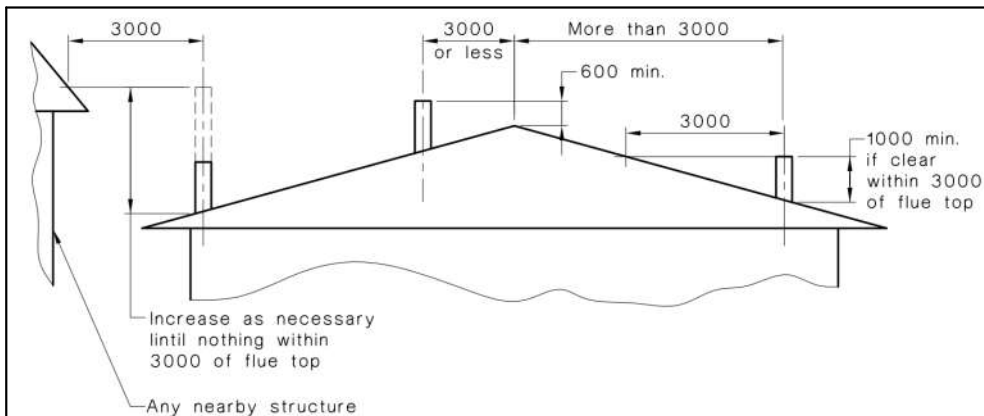


# MASONRY INSTALL FLUE CONFIGURATION & FLASHING DETAILS

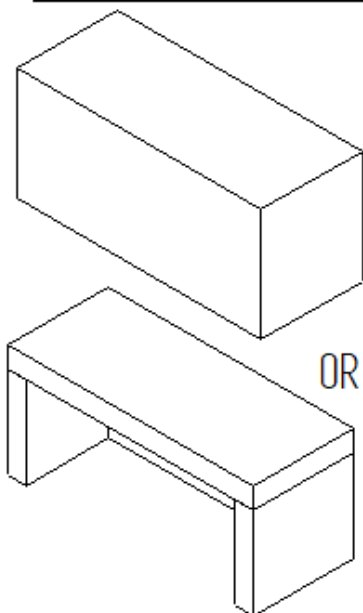
Note : The entire flashing must be made of non-combustible materials



**Flue Height** - Install a minimum of one length of 300mm dia main flue and corresponding casings, as shown in the diagrams above. Additional flue lengths may need to be added depending upon the install's location, the height of the masonry/built-in timber-framed enclosure, or to achieve sufficient flue draft. Make sure the smoke is not likely to blow towards neighboring or adjacent properties. Use flue termination guidelines given in AS/NZS 2918:2001

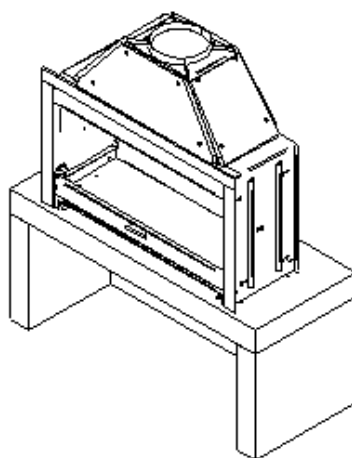


# MASONRY INSTALLATION STAGES

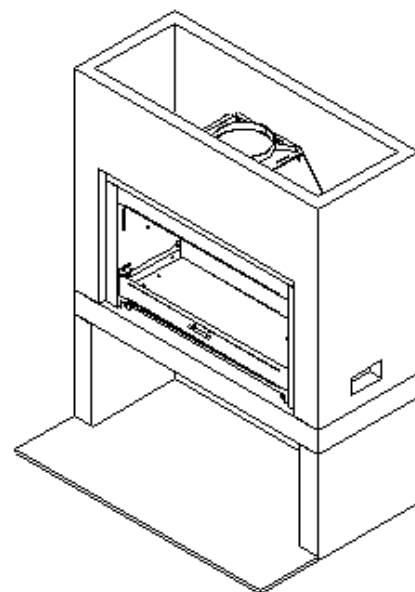


OR

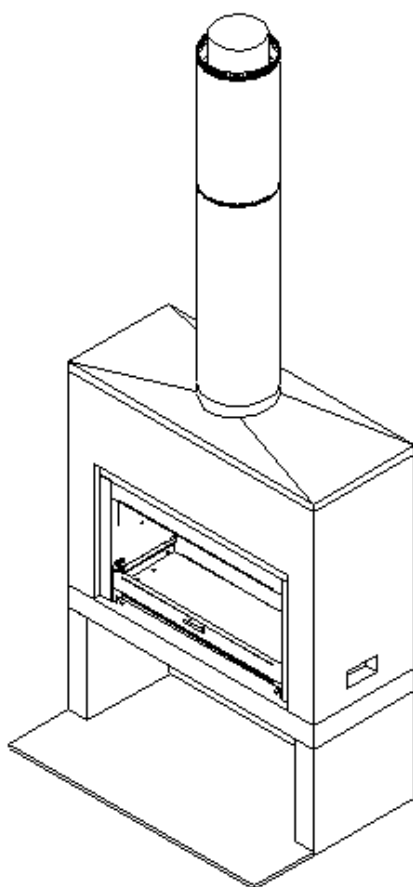
STAGE 1 - BUILD MASONRY  
PLINTH / BASE



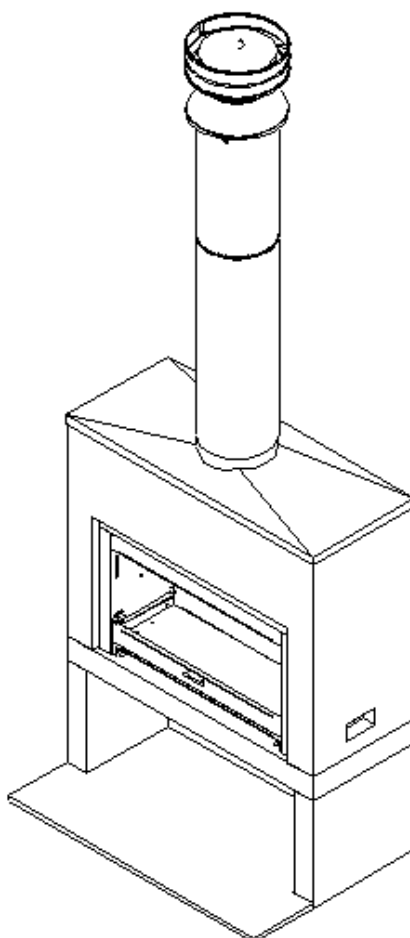
STAGE 2 - UNPACK FIRE, REMOVE PARTS,  
LOCATE & FIX FIREBOX ON THE  
BASE USING M8 DYNABOLTS OR  
EQUIVALENT



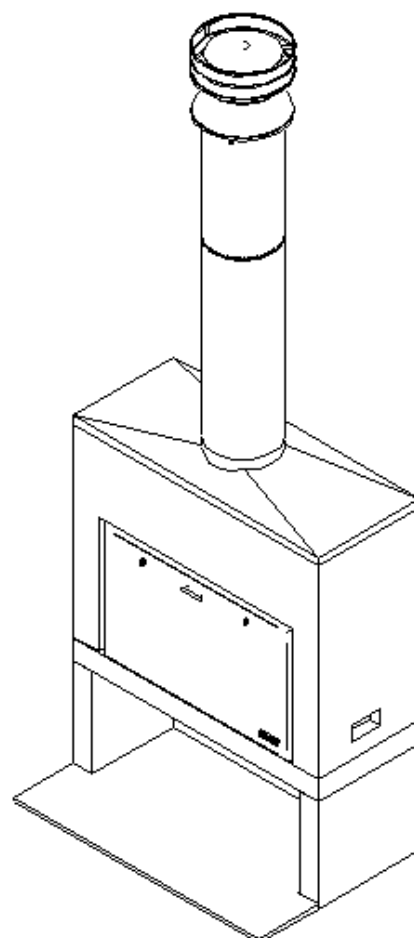
STAGE 3 - COMPLETE REMAINING  
MASONRY CAVITY &  
FLOOR PROTECTOR



STAGE 4 - INSTALL CAPPING AND  
FLUE SYSTEM



STAGE 5 - COMPLETE WITH FLUE  
TERMINATION



STAGE 6 - INSTALL ALL INTERNAL  
COMPONENTS AND  
WEATHER COVER

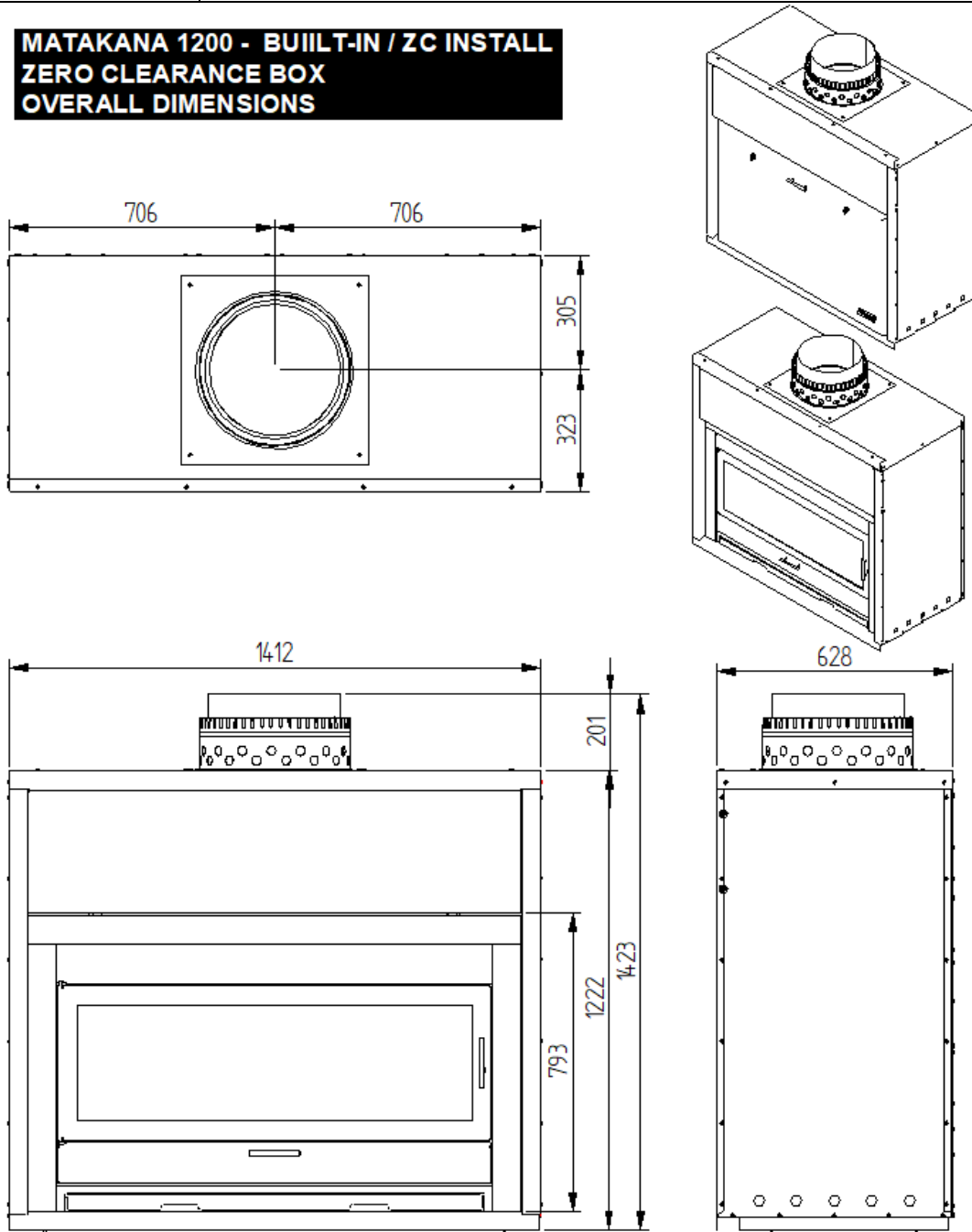
## 4.0 Technical Specifications for Built-In / ZC – Timber Framed Install

(Read all the instructions carefully before starting any building construction of the cavity)

Matakan 1200 is an outdoor cooking wood fire which can be used for both heating and cooking. **This appliance is designed for outdoor use only.** Consult your respective local council for clarification on rules appertaining to the installation of outdoor wood-fire appliances. Matakana 1200 cooking center for Built-In / ZC install has been tested to and complies with wood burner safety standard - AS/NZS 2918:2018

Overall Weight of Firebox including ZC Box	320 kg
Overall ZC Box Size :	1412mm W x 628mm D x 1222mm H
Overall Fascia Size :	1310mm W x 787mm H x 3mm thick

### MATAKANA 1200 - BUILT-IN / ZC INSTALL ZERO CLEARANCE BOX OVERALL DIMENSIONS

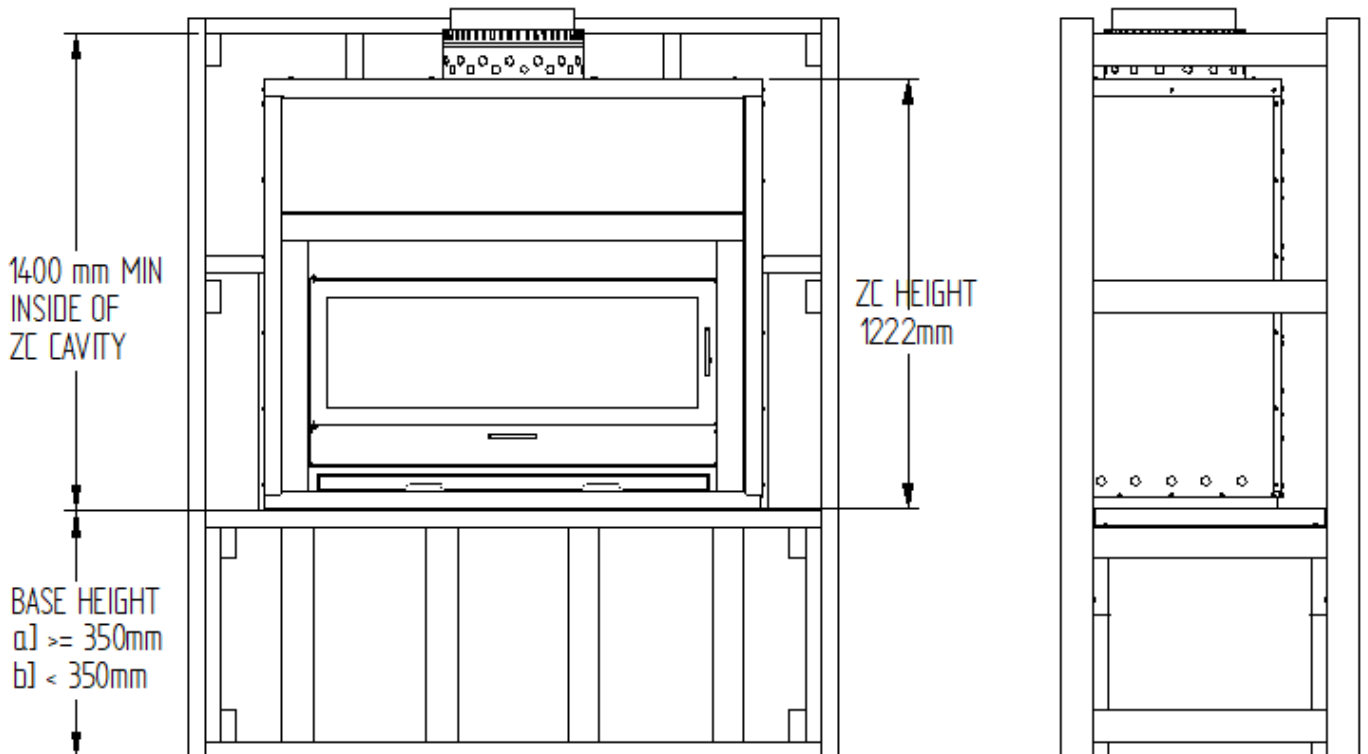
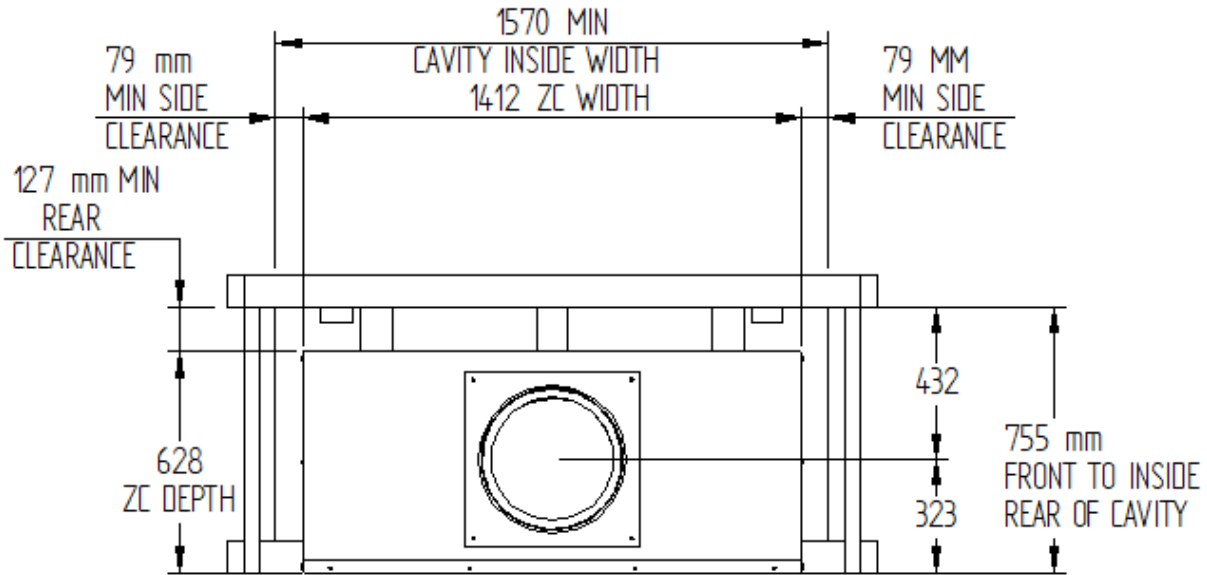


Flue System for Built-In/ZC Install :	Minimum 1 x 1200mm long and 300mm dia flue pipe, 1 x 1200mm long and 350mm dia flue casing, 1 x 1200mm long and 400mm dia casings, a termination cowl. 450mm dia casing with rain cover may be required depending upon the type of capping and venting used. Flue System installation should be compliant to AS/NZS 2918:2001. May require a spark arrestor depending upon the local building authority rules.
---------------------------------------	--

**BUILT-IN / ZC - TIMBER FRAMED INSTALL  
OVERALL DIMENSIONS & CLEARANCES**

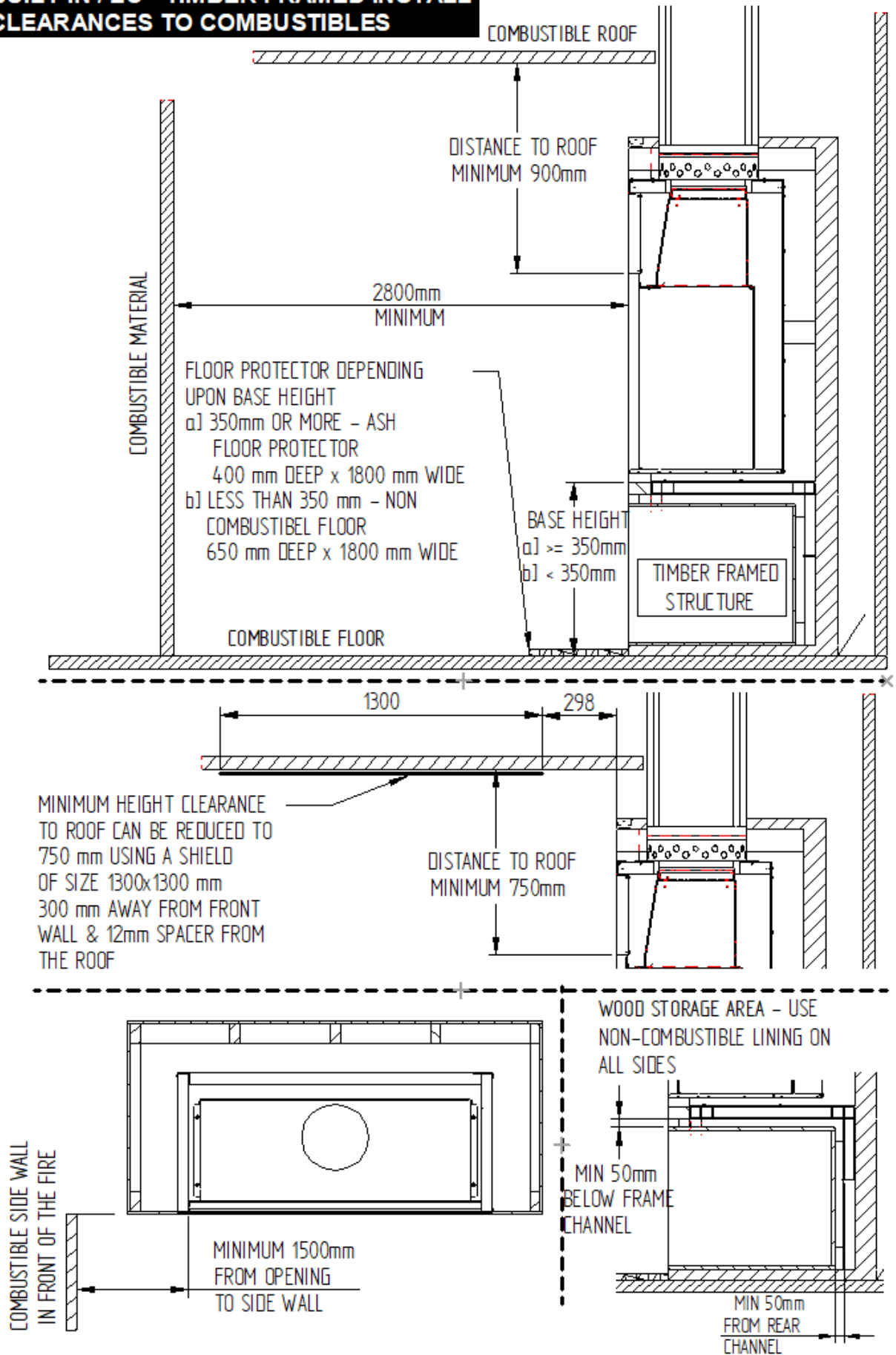
**IMPORTANT :**

- USE H3.2 or HIGHER GRADE, 90X45 DRESSED  
TIMBER FOR ALL THE FRAMING



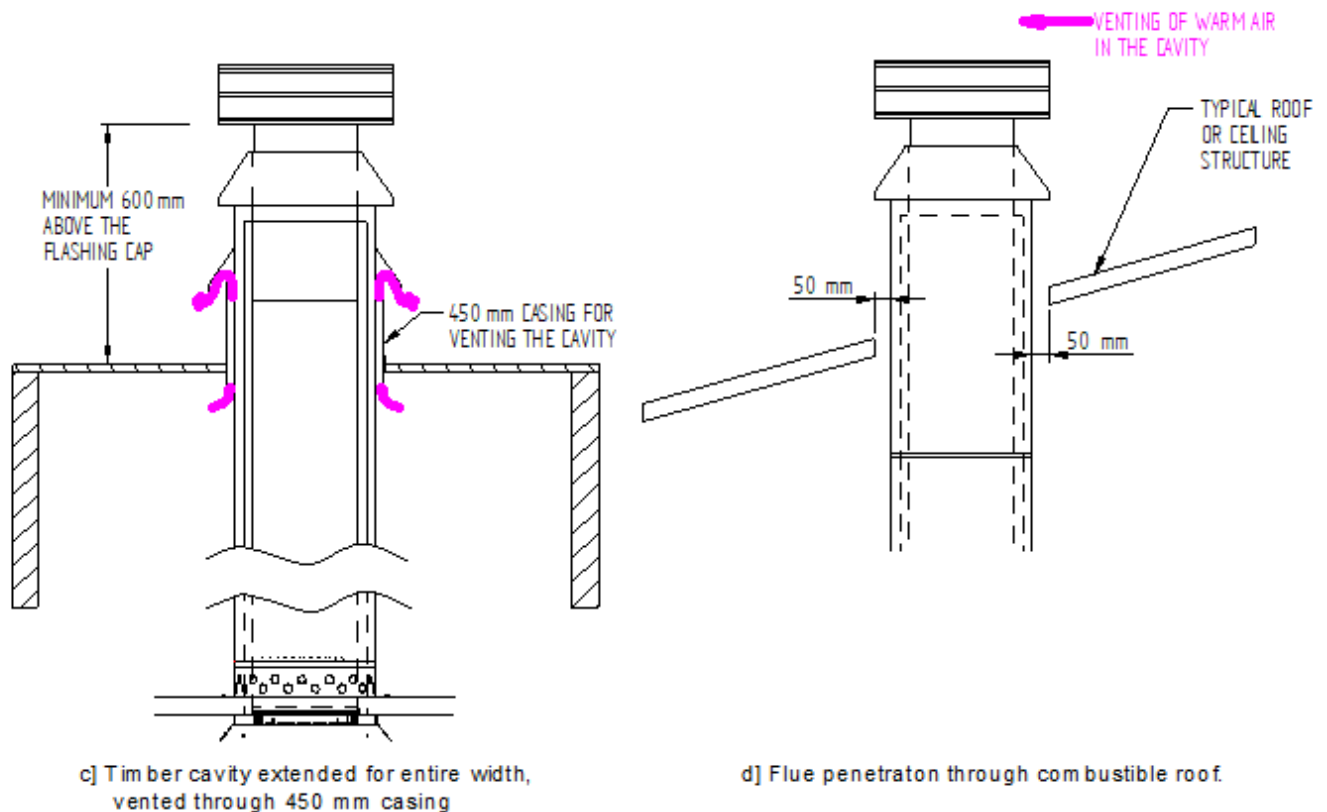
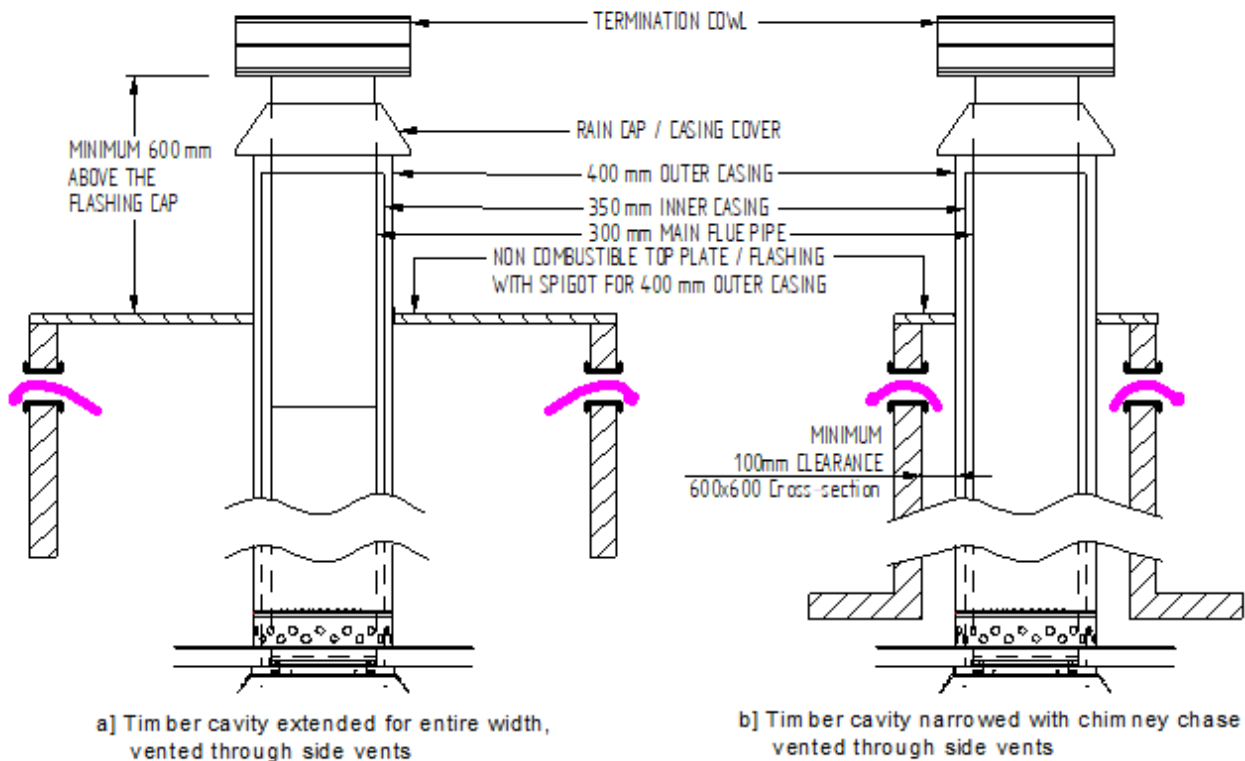


**BUILT-IN / ZC - TIMBER FRAMED INSTALL  
CLEARANCES TO COMBUSTIBLES**



## BUILT-IN / ZC - TIMBER FRAMED INSTALL FLUE CONFIGURATION & FLASHING DETAILS

Note : The entire flashing must be made of non combustible materials



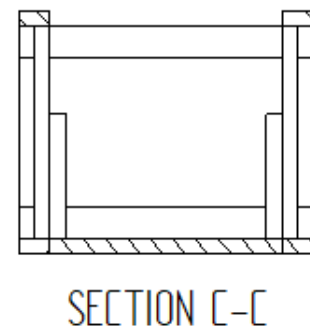
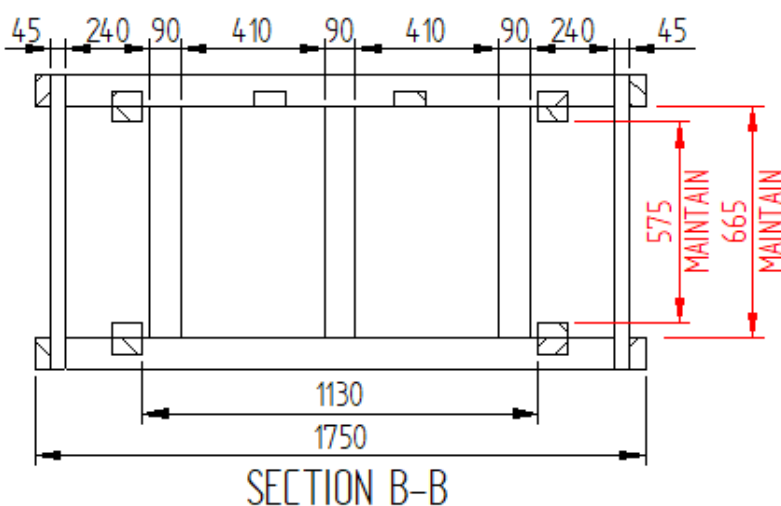
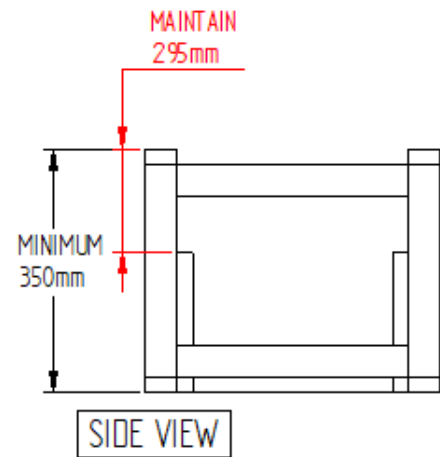
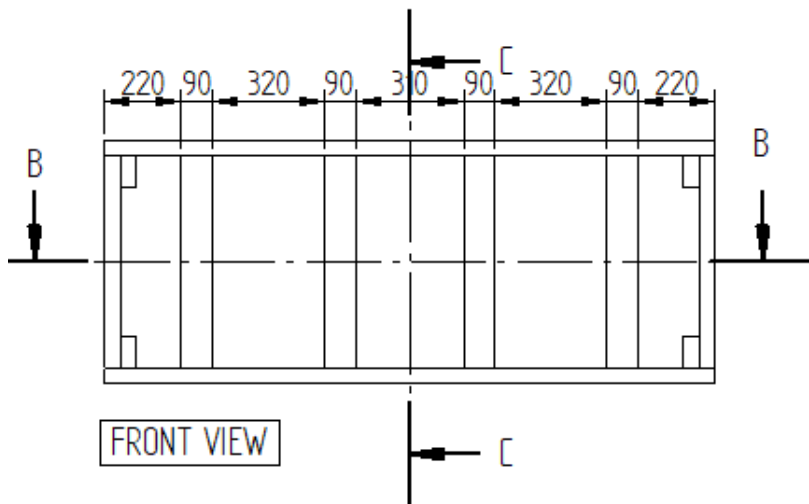
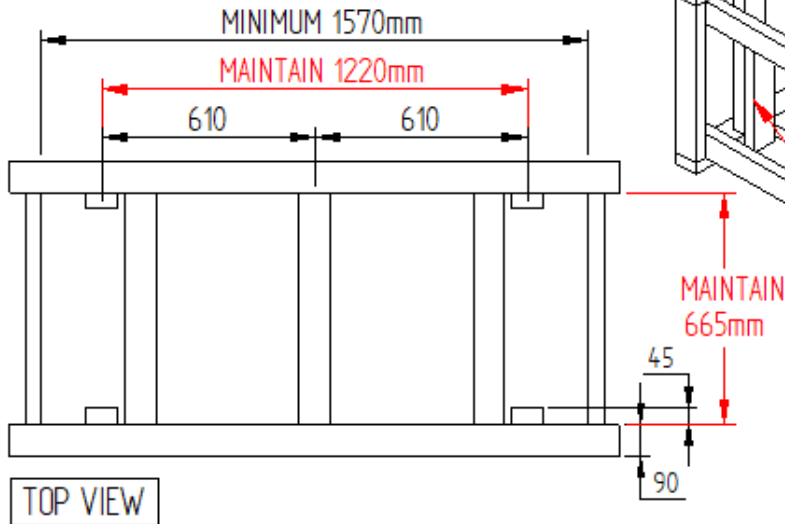
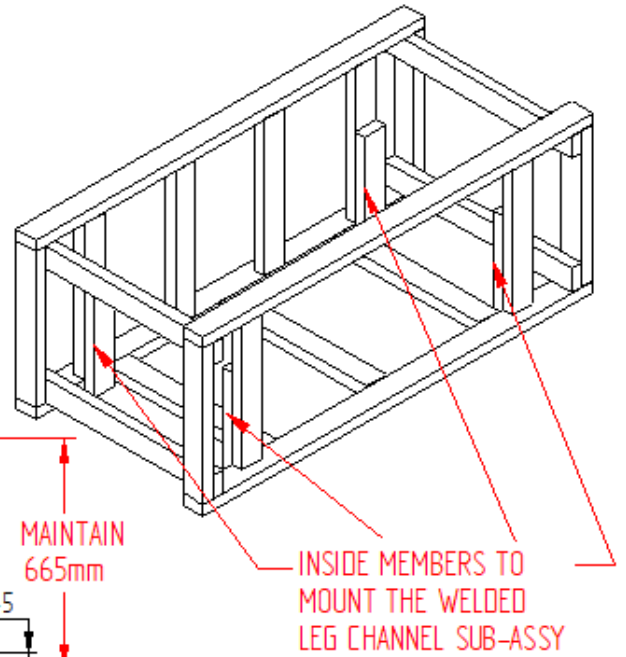
**Flue Height** - Install a minimum of one length of 300mm dia main flue and corresponding casings, as shown in the diagrams above. Additional flue lengths may need to be added depending upon the install's location, the height of the masonry/built-in timber-framed enclosure, or to achieve sufficient flue draft. Make sure the smoke is not likely to blow towards neighboring or adjacent properties. Use flue termination guidelines given in AS/NZS 2918:2001 (Refer schematic shown on page 11)

# BUILT-IN / ZC - TIMBER FRAMED INSTALLATION STAGES

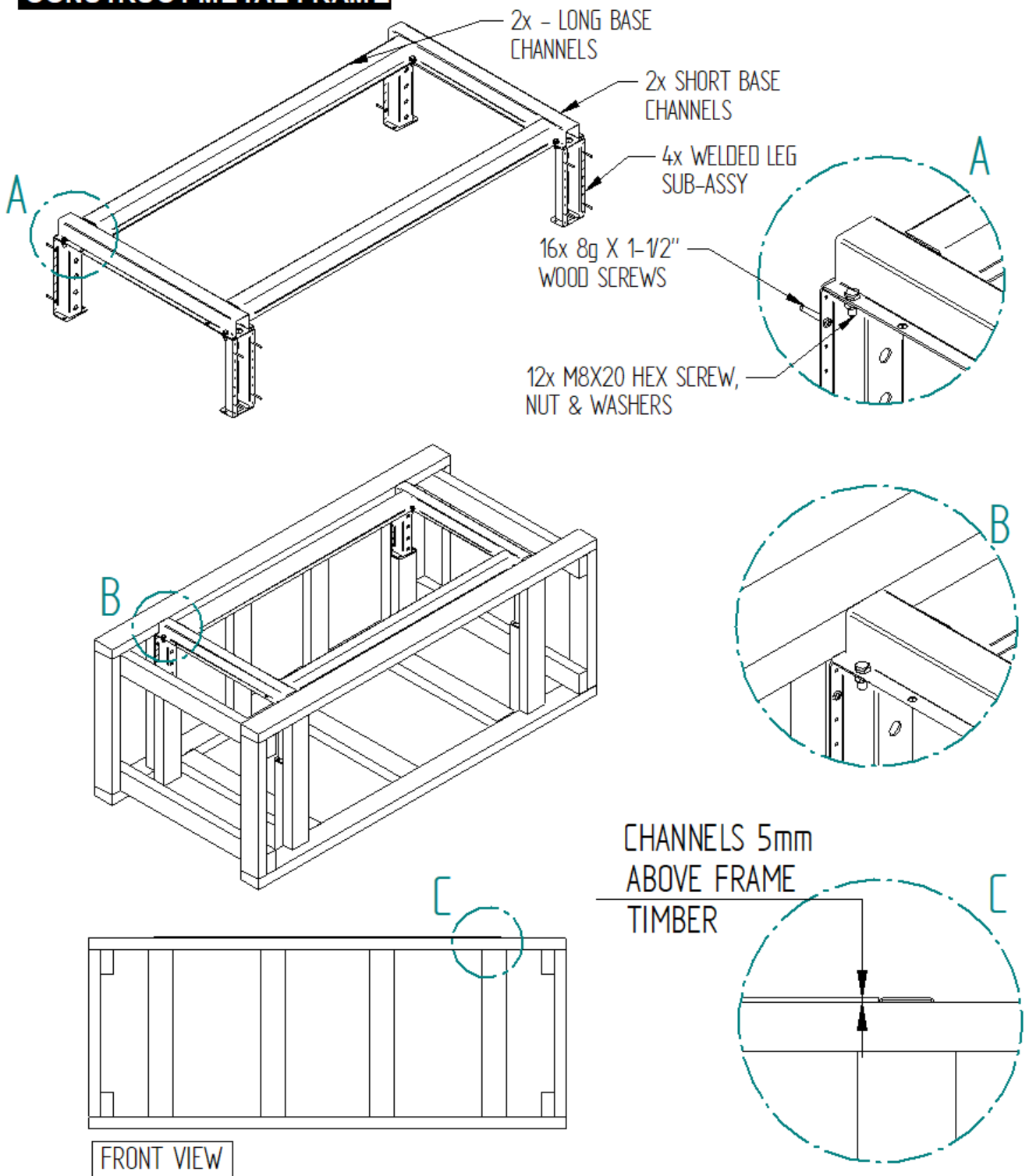
## STAGE 1 CONSTRUCT BASE FRAME

### IMPORTANT :

- USE H3.2 GRADE 90X45 DRESSED TIMBER FOR ALL THE FRAMING.
- MAINTAIN DIMENSIONS RELATED TO INSIDE SUPPORT MEMEBERS FOR THE MOUNTING THE METAL CHANNEL FRAME

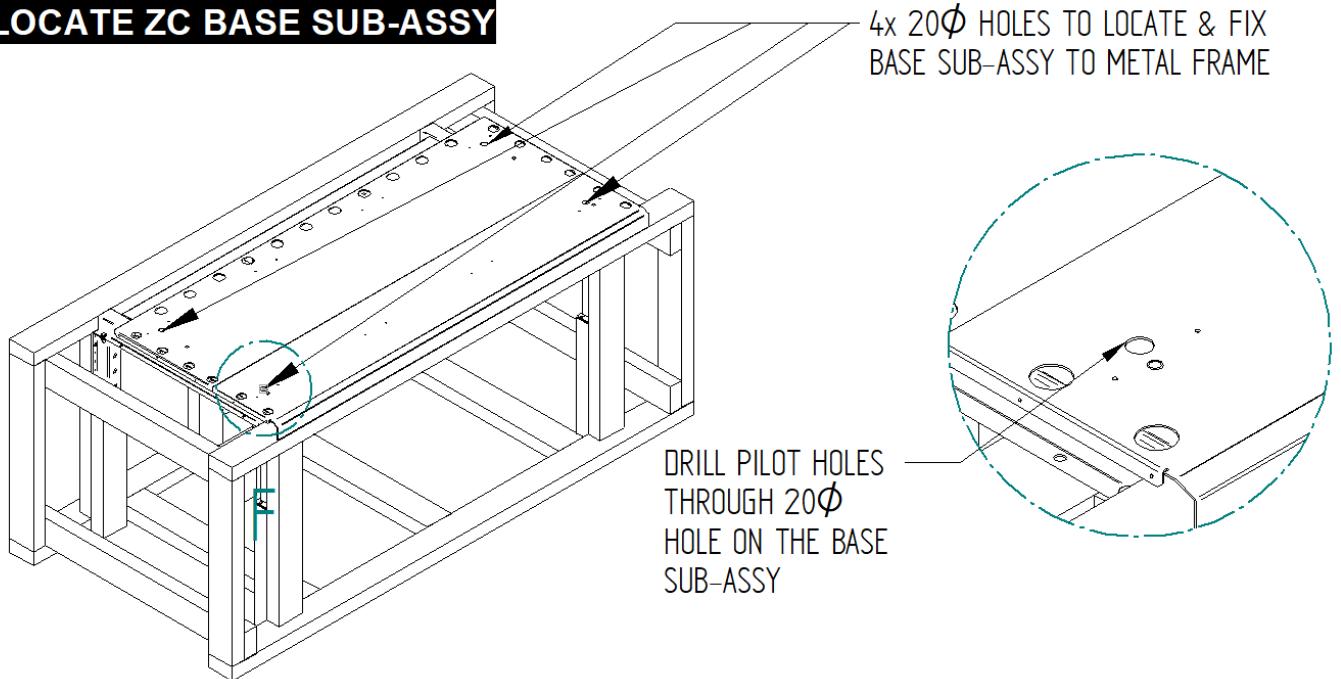


**STAGE 2  
CONSTRUCT METAL FRAME**



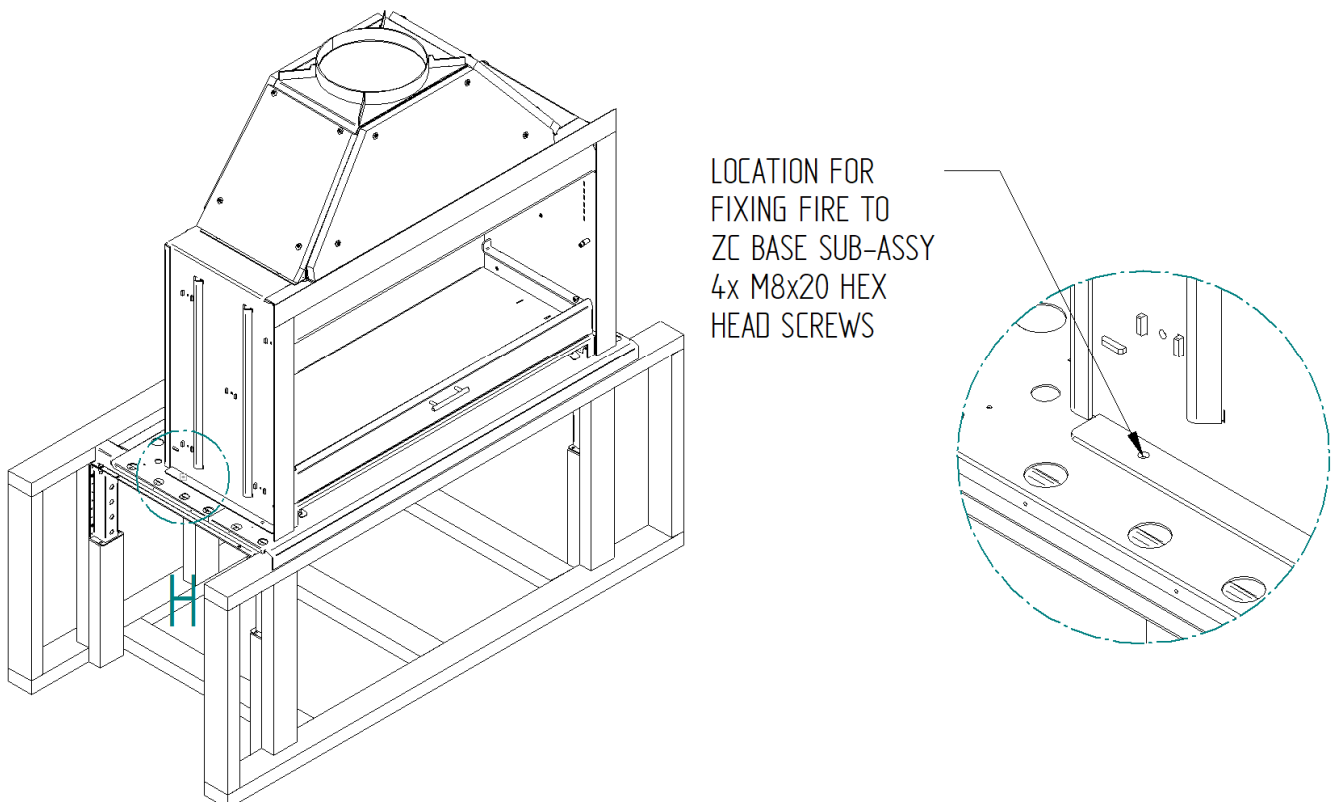
- Place 4 x Welded Leg sub-assemblies on to the inner verticals of the base frame,
- Loosely screw these legs to front and rear verticals of the frame using 8Gx 1½" wood screws. (4 per, total 16)
- Place 2 x Short Base channels and then 2 x Long Base channels to form a frame on the legs.
- Join Short & Long base channels to leg using M8 Screw, Nut, and Washers. (3 on each corner, total 12)
- Important - Check that the channels are 5mm above the front timber piece, as shown in the detailed view "C".**

### STAGE 3 LOCATE ZC BASE SUB-ASSY



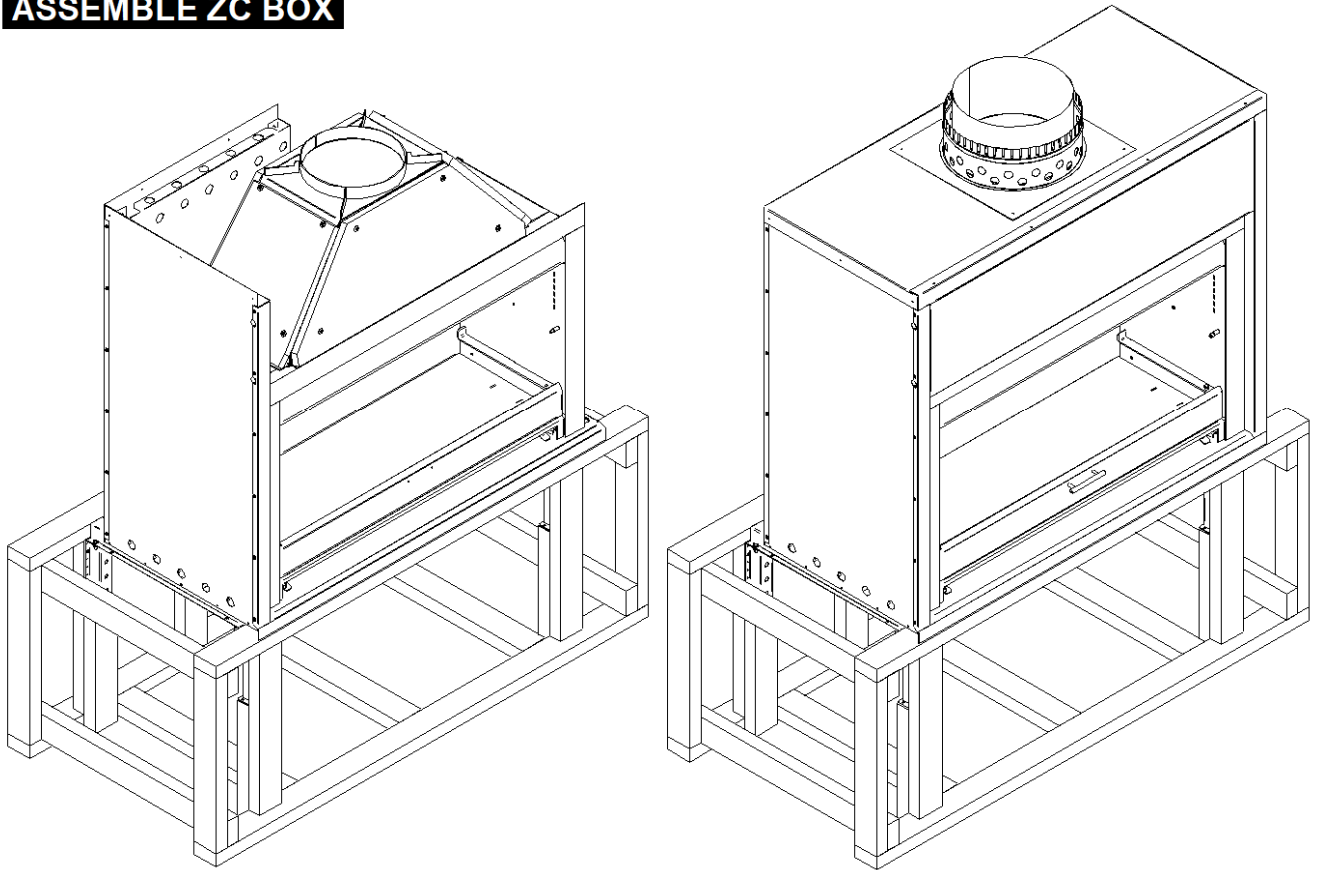
- Centrally locate the ZC Base sub-assembly onto metal frame channels with the front flange flush with the timber base frame's front face.
- Use holes on the base sub-assy channel as a reference and drill pilot holes into the short base channel.
- Secure the ZC base sub-assembly to metal frame in the base using 4x 12G x 25 Self-tap screws

### STAGE 4 INSTALL FIRE ON TO ZC BASE SUB-ASSY



- Depending upon location, use suitable equipment to lift the heavy fire on to the frame.
- Remove internal parts to reduce weight.

## STAGE 5 ASSEMBLE ZC BOX

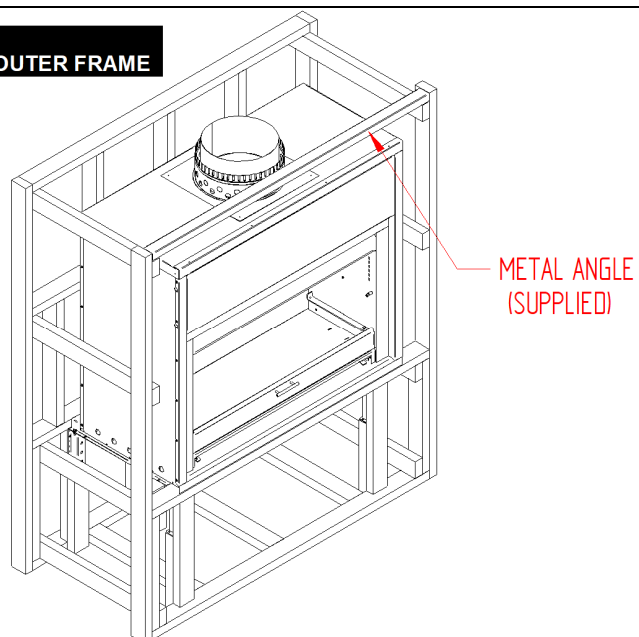


Assemble the ZC box around the fire by screwing various ZC sub-assemblies one by one using 8G x 1/2" Screws provided, in the following order:

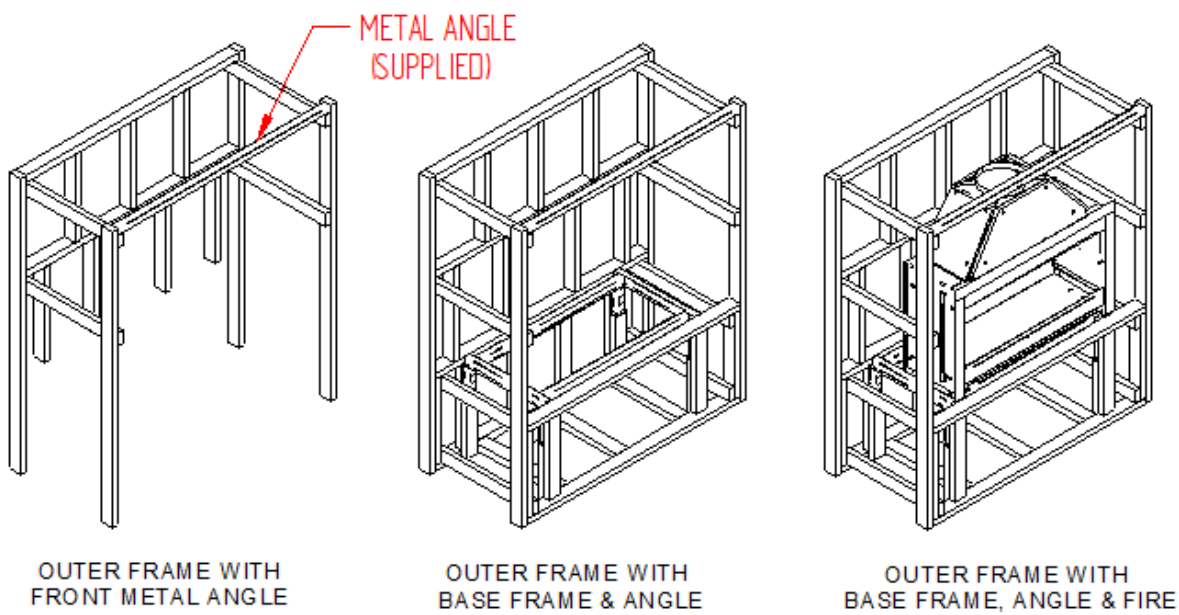
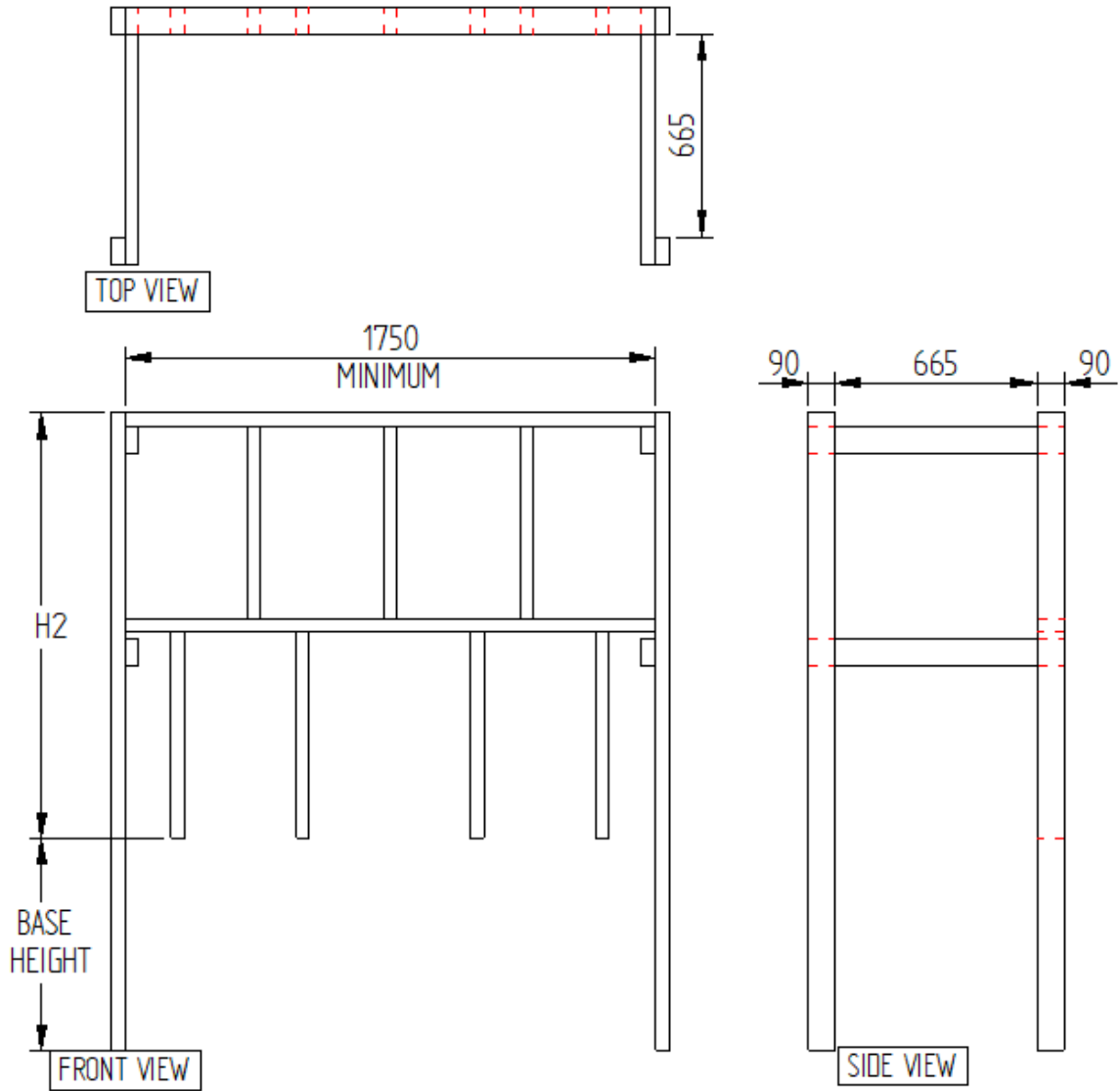
- a. ZC Side LH Sub-assembly
- b. ZC Rear LH Sub-assembly
- c. ZC Rear RH Sub-assembly (has extra joggles flange)
- d. ZC Side RH Sub-assembly
- e. ZC Top Inner Heat Shield
- f. ZC Top Outer Cover Panel
- g. ZC Flue Adaptor Sub-assembly.
- h. ZC Front Top Sub-assembly

Ensure that the flue adaptor is concentric with the spigot of the fire. Also, check that the entire front face of ZC is flush with the front face of the timber base frame.

## STAGE 6 CONSTRUCT OUTER FRAME



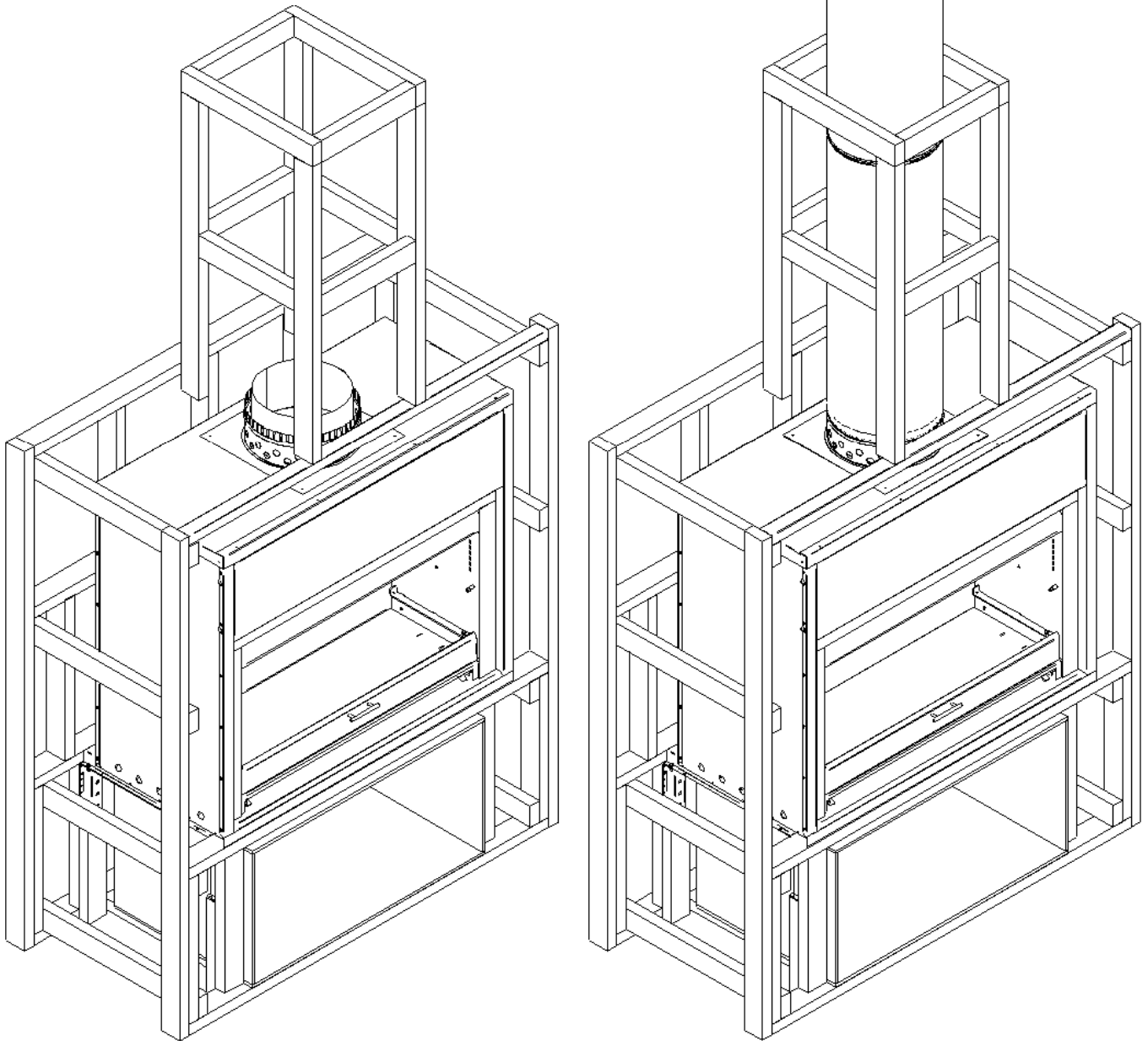
## STAGE 6 OUTER FRAME DIMENSIONS



Construct the outer frame as per the details above to suit the required height. On the front face of the frame, screw Metal channels provided, 50mm above the ZC box's top edge.

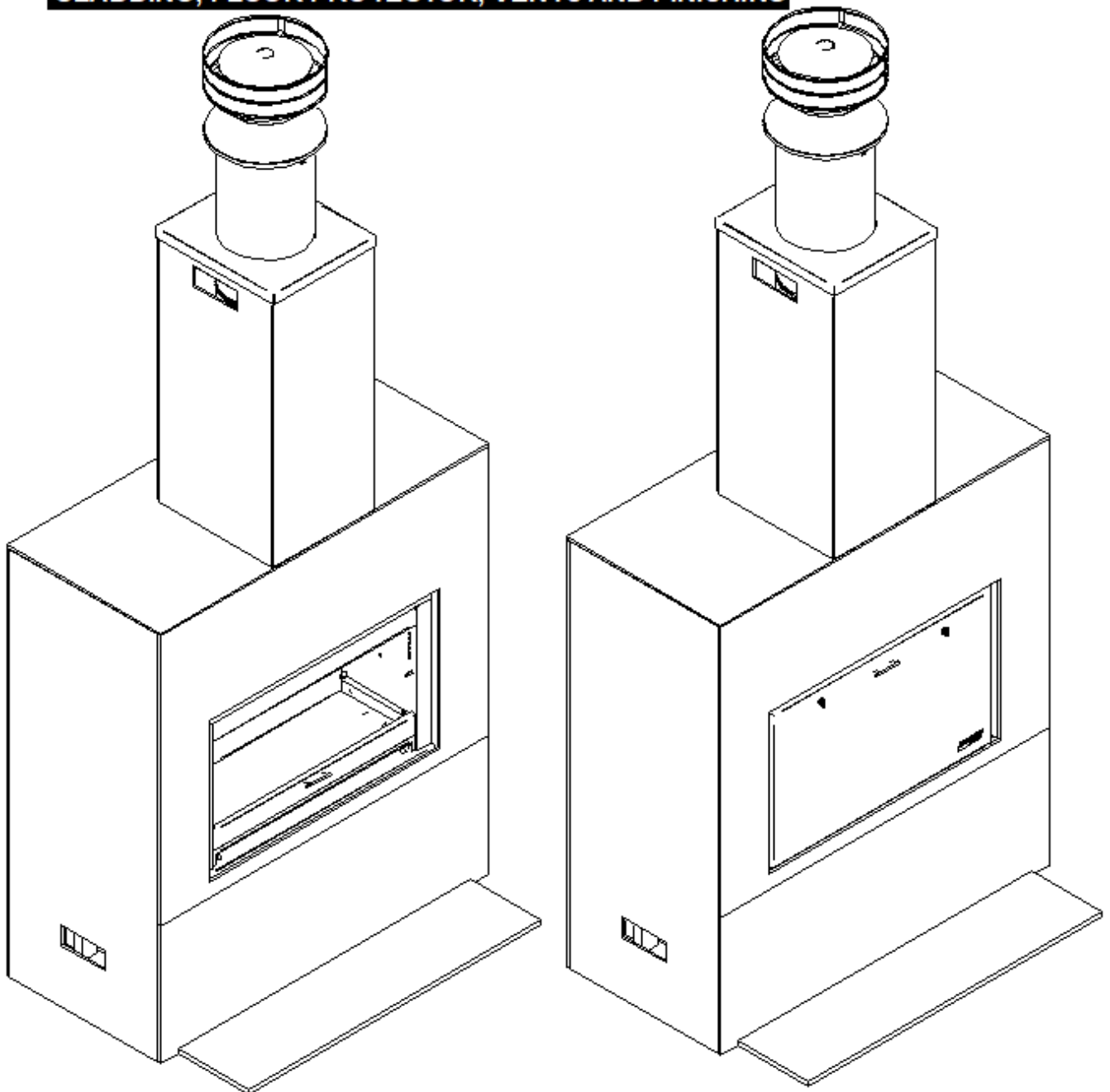


**STAGE 7**  
**COMPLETE FRAMING & INSTALL FLUE PARTIALLY**



- Build the chimney chase or extend the frame to the required height.
- Build the ash storage under the timber base frame or on the side of the fire, if required.
- The ash storage walls should be constructed using non-combustible material and should have a minimum 50mm clearance from the metal frame channels in the base frame or a 50mm ventilated air gap on the sides.
- Install the main flue and inner casing of the flue system

## STAGE 8 CLADDING, FLOOR PROTECTOR, VENTS AND FINISHING



- Construct / install floor protector, cladding, flue termination and vents.
- **Ventilation of the built-in cavity is a requirement for the safe operation of the Matakana built-in fire.**
- Locate ventilation inlet as low as possible in the cavity. The ventilation outlet at the top can be via additional casings or the outlet opening close to the top of the cavity or chimney chase. Vents can be of any size or shape as long as the required total open area is maintained. The vents must be covered with an appropriate mesh or similar to prevent vermin from entering the cavity, made weatherproof, and meet the local building code requirements. Inlet vents can be on the sides, rear, or bottom of the cavity. Symmetry in venting is preferred.
- The total open area of the fresh air inlet vents at the bottom must be a **minimum of 50,000 mm<sup>2</sup>**, E.g., Use two cutouts of size 250x200 with 50% open mesh.
- The total open area of the warm air outlet vent at the top must be a **minimum of 30,000 mm<sup>2</sup>** E.g., Use two cutouts of size 300x100 with 50% open mesh.
- Complete exterior finishing of the cladding.
- Spray the edges of the ZC box around the fire fascia with VHT paint can, supplied.
- Install back all the internal components which were removed to lighten the weight for handling.

## **5.0 Matakana 1200 - Operations**

**Before the first light-up, make sure that the Matakana 1200 fire is installed correctly and signed off by an approved installer. All local council's wood fire permission or permit requirements have been completed satisfactorily.**

### **5.1 Important safety Warnings & Cautions**

- This appliance is not intended for use by persons (including children) with reduced physical, sensory, or mental capabilities or lack of experience and knowledge unless they have been given supervision or instruction concerning the appliance's use by a person responsible for their safety.
- Please do not leave children or toddlers unattended near the alighted fire and keep them well away from the fire when in use.
- Young children or toddlers are susceptible to accidental contact burns and must not operate the cooking fire and ensure that they do not play with the appliance.
- This appliance must only be used for cooking/heating purposes only.
- The operator is responsible for the safety of all third parties while this appliance is in use. Onlookers should keep a safe distance away from the appliance.
- Do not leave the appliance unattended when it is alight, and the operator should remain near the appliance at all the times it is alight and pay attention to the food being cooked.
- The use of alcohol, prescription, or non-prescription drugs may impair consumers' ability to use this appliance safely.
- Parts of the appliance do get extremely hot and could cause severe burns. Use gloves provided while operating and touch test the surface before applying a firm grip. The various parts of the installation can be very hot even after the fire has burnt out.
- Do not store garden waste, chemicals, or flammable materials near this appliance.
- Always keep clothing, firewood, furnishing, and other combustible materials at a safe distance from the fire.
- Do not spray aerosols near the appliance.
- Do not use flammable liquids or aerosols to start or rekindle a fire
- Do not place any combustible in front of the fire as some firewood may spit sparks
- Do not overfire the appliance – Follow the fire loading guidelines.
- Always wear the gloves provided when operating or cooking the appliance.
- Do not attempt to clean or maintain the fire when in use or with hot embers in the firebox. Ensure that embers and other fire parts have cooled down completely before starting ash removal or other maintenance.
- Do not put the weather cover until the fire has cooled down completely.
- This appliance should always be installed, operated & maintained as per instructions given in this manual
- Do not use the fire if there is a malfunction, a suspicion of breakage, or unusual noises. Contact your nearest Masport dealer or customer service team at Glen Dimplex New Zealand.

**Failure to follow above warnings, cautionary measures and instruction given in this installation and operation manual will void the Masport warranty of this product and may void your fire insurance.**

## **5.2 Permitted Fuels**

The quality of the firewood you burn can have a considerable effect on the cooking performance and quality of the Matakana 1200 outdoor fire. The Matakana 1200 Outdoor fire is designed to burn wood fuel that meets the following criteria:

- Less than 25% moisture content
- Has not been treated with preservatives or impregnated with chemicals or glue
- Is not chipboard, particleboard, or laminated board
- Is not painted, stained, or oiled
- Is not driftwood or other salt impregnated wood

Burning materials that do not meet the above criteria can damage the firebox and put you at the risk of voiding the warranty of the Matakana 1200 Outdoor fire.

In NZ, radiata pine or macrocarpa is the most commonly available softwood species suitable as firewood. Other hardwood species like eucalyptus (bluegum) can be mixed or burned with softwood to achieve longer burns.

If you are cutting your firewood, only wood that has been air-dried in a sheltered, well-ventilated stack, preferably for at least 12 months, maybe burned in the Matakana 1200 Outdoor fire. To ensure that the wood has a moisture content of 25% or less, store it under a roof or protected against heavy rain. If you purchase firewood, buy firewood that is well seasoned and has a moisture level below 25%. We recommend "Good Wood" merchants approved by your local council.

**Do not burn coal, driftwood, treated or painted wood, highly resinous wood, such as "Old Man's Pine," plastic, plywood, chipboard, garbage, flammable fluids such as gasoline, naphtha, engine oil, refuse, milk cartons, colored or printed paper. The combustion of such materials can emit toxic, corrosive, and hazardous fumes that will pollute the environment and spoil the cooked food.**

## **5.3 Testing Wood Moisture**

There are several ways to confirm if the wood is dry enough.

- The wood moisture meter is the best way to check the moisture content of the wood fuel. Split a piece of wood and then press the metering prongs firmly into the long side of a split piece to test moisture content. 15-20% percent of moisture content is ideal.
- If you are purchasing firewood, ask for dry seasoned wood and get it checked from your wood merchant.
- Dry wood weighs much less than wet wood.
- Wet wood is hard to light and will emit moisture from the ends while burning.
- Two dry pieces banged together sound hollow, and wet pieces sound solid and dull.

## **5.4 Recommended Log Sizes & Fire Starters**

- A packet of matches or lighter
- A packet of firelighters. We recommend green firelighters made of wood waste
- Finely split, dry softwood kindling
- Seasoned firewood about 300~350mm long in various sizes

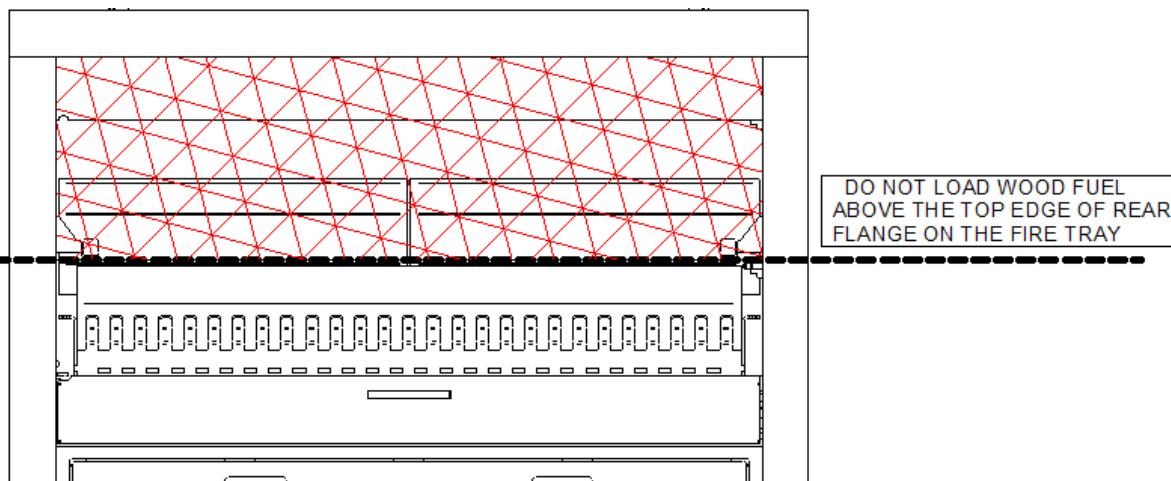
## 5.5 Preparing The Burner For First Light-up

- **Make sure that all the packing material is removed from the combustion chambers.**
- **Make sure that all internal components that were removed during installation are put back correctly.**
- **Do not use Matakana 1200 for cooking during initial 2~3 burn cycles.**
  - The burn tray is locked in place
  - The rear metal bricks are hung and screwed on the rear of the firebox
  - 3 x Pizza stones are installed in the baking chamber under the main firebox.
  - The small door for the baking chamber is working correctly.
  - The main door to the fire is installed and working correctly.
  - The baffle plate is installed and screwed to the inside of the front top deflector plate.

**Please note that the special high-temperature paint is used in the firebox will emit some smoke as it cures during the initial two to three sessions of running. While curing, the heated paint softens, so do not touch hot surfaces during this process. Babies, small children, pregnant women, elderly persons, persons subject to pulmonary hypersensitivity, and pets should avoid exposure to this smoke.**

## 5.6 First Light-up

- Remove the weather cover and store it in a safe place.
- Open the main door
- Stack 4~5 medium size logs at the center of the fire tray.
- Stack around 15~16 finely split kindling pieces on the top of the logs.
- Place the firelighters on top of kindling and light the fire.
- Close the door and wait till all the medium logs are fully alight
- Add large size logs gradually and keep building a fire.
- Maintain the fire as big as you need without overloading the fire tray.
- **Make sure that the fire tray is not overloaded with fuel. Use the rear flange of the log fire tray as a guideline. Do not load logs above the top edge of the rear flange on the fire tray.**
- Initial burns will create a bed of ash in the fire tray. Always maintain a 20~25mm thick bed of ash for subsequent burns.



## 5.7 Extinguishing the Fire

Once you have finished burning the fire or cooking, let the fire burn on its own and cool down. The fire will remain warm for several hours. Use caution while touching any parts of the fire, firebox, or cooking accessories. It will be safe to clean the fire and cooking accessories the next day when all fire parts have cooled down.

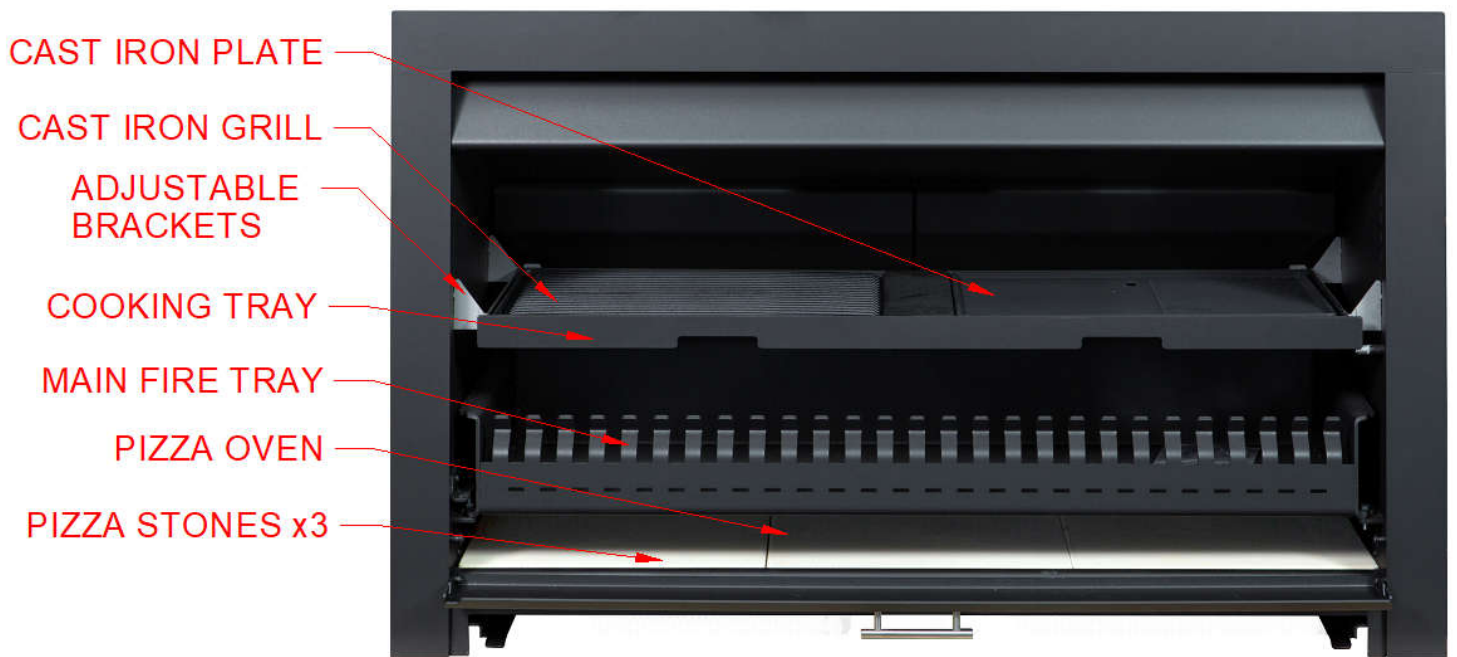
- Always clean and lightly oil the cast iron plate and grills for future use.
- Clean the oven area and the pizza stones with a soft wire brush.
- **Do not put back the weather cover until the fire has completely cooled down.**

## 5.8 Using Matakana 1200 as a Cooking Centre

The Makana 1200 outdoor fire comes with a St/St cooking tray fitted with a cast iron BBQ plate and a grill. This cooking tray can be stored at the bottom of the fire. Two St/St hook brackets are provided with the fire to adjust the cooking tray's height above the fire tray. The chamber under the fire tray can be used for cooking pizzas, baking, or just as a warmer box.

**Do not use Matakana 1200 fire for cooking purposes during initial 2~3 burning cycles or spraying with high-temperature paint during regular maintenance.**

**Always use gloves provided while cooking and handling cooking accessories of Matakana 1200 fire.**





## **5.9 First Light-up For Cooking**

- Ensure that you have burnt the fire 2-3 times for curing the paint of the appliance.
- Clean the cast iron plate and the grill with hot soapy water to remove any oil or residue from the packaging or manufacturing process. Wash with clean water and let them dry naturally.
- After lighting the fire, let the plates warm up slowly for 30 minutes, gradually increasing the heat. You will notice slight vapors rise from the plates; this is natural as residues are burnt off.
- Remove the cooking tray with the plate and grill. Let them cool down slightly.
- The plates can now be prepared with the addition of cooking oil. Take care that the plates are not at a temperature where adding the oil will cause a hazard. Brush the oil over the plate and the grill, allowing the oil to be absorbed into the surface. Allow the plates and the grill to fully cool, then remove any excess oil. Now, the plates will be ready for cooking.

## **5.10 Matakana 1200 Cooking Guide & Tips**

- Plan your cooking before you light the fire.
- Remove the cooking tray along with the cast iron plate and grill from the fire and keep it aside.
- Hook up the St/St brackets using the slots provided on the fire box's left and right side shields.
- Light the fire as per instructions given in section 5.5 & 5.6.
- Let the hot fire going for at least 60 mins. Use the poker to break the logs and adjust the fire tray's burning logs and embers.
- Load the cooking tray along with the cast iron plate and/or grill. Start cooking once the plate or grill is hot enough for the desired cooking.
- The temperature of the plate or grill can be controlled by scraping the embers beneath the desired plate or grill
- The pizza oven temperature can be controlled by opening or closing the oven door and adjusting the embers in the fire tray.
- For cooking pizza, the oven area needs to be around 250~275 °C. If required, you can get an accurate temperature using an infrared thermometer.

## **5.11 Using Weather Cover**

Matakana 1200 outdoor fire comes with a St/St weather cover to protect the fire's interior when the appliance is not running or not used for an extended period. The cover can be attached to the front face of the fascia with the two quarter-turn latches.

**Use the cover only when the fire has completely cooled down.**



## **6.0 Maintenance**

### **General Maintenance**

- When the fire is entirely cold, clean the fire, door, and surrounding using a soft dry cloth.
- Always use the St/St weather cover to protect the fire from flying dirt and rain. The St/St weather cover should be put on only when the fire has cooled down completely.
- Clean the interior of the fire every couple of months, depending upon the usage.
- Remove excess ash in the fire tray. (see details below on ash removal)
- To extend the fire's life, spray the interior and the exterior of the fire using high-temperature Stovebright paint. Remove the pizza stone bricks, cast iron cooking plate, and grill while spraying operation. Do not use the fire for cooking during a couple of burns after respraying.

### **Ash Removal**

Ash removal is necessary when the fire tray is more than 50% full. Before carrying out ash removal, make sure that the burner is cold, and there are no hot embers in the firebox. Simply shovel out any excess, leaving a 20-25mm bed of ash in the fire tray. Place the removed ashes in a non-combustible container with a tightly fitting lid and immediately move the container outdoors to a place clear of combustible materials.

### **Flue Inspection & Cleaning**

The flue system should be checked at least once a year depending upon usage and, if needed, be swept by a professional chimney sweep. Do not use chemical chimney cleaners. Check the flue sections nearest the firebox. If a flue system is becoming excessively blocked or needs frequent cleaning, investigate the burner's installation, fuel, and operation with a professional's help.

### **Matakana 1200 Replacement Parts**

Some parts of the Matakana 1200 outdoor fire are considered consumable. These parts will wear out or degrade over time. The life of these parts will vary upon

- How frequently the fire is used
- Type of fuel. Some species of wood fuel are harsher than others.

### **Following items are considered as operational consumables:**

- Steel Bricks - Set of two bricks in the main combustion chamber or firebox.
- Steel Baffle
- Burner Tray
- Pizza stones
- Cast Iron Cooking plate and grill
- St/St cooking frame
- St/St cooking frame adjustable brackets
- Door and related parts like handles, hinges, and locking parts

These consumable parts should be replaced as soon as they show signs of wear. Running your burner with worn or broken parts may result in damaging the firebox of the Matakana 1200. We highly recommend a frequent visual check of these consumables and other parts of the burner.

## **6.0 Troubleshooting.**

### **Smoke Spillage during the operation or cooking.**

There can be several reasons and remedies for smoke spillage out the front door.

The causes can be

- Insufficient height of the flue for a particular location.
- The close proximity of large trees, tall building, or a landmass
- Different climate or atmospheric conditions, topography can contribute to this issue.

The remedies to this issue are varied. Below are some guidelines to rectify this issue.

- Too much or too little fuel load – Too much fuel in the firebox can generate excess smoke, not allowing or blocking the flue system to cope with it and ultimately spilling exhaust gases into the room. Too little fuel load can lead to a lack of flue draft, and the exhaust gases will find the easiest path through the main opening door.
- Blocked chimney – In cold climates, the buildup of soot inside the main flue pipe can happen quickly, especially if the wood fuel is wet. Ensure that the flue system is cleaned regularly depending upon the usage.
- Cowl or Termination – Certain types or designs of cowl/termination work better for specific atmospheric conditions created due to high wind or high pressure. The wind gusts that hit the flue system can reverse the flue draft and push the exhaust gases back down the flue.



# **GLEN DIMPLEX WARRANTY REGISTRATION**

## **MATAKANA 1200 OUTDOOR FIRE**

Thank you for purchasing a Masport Fire. We ask you to complete the following information and return to the Glen Dimplex Warranty Registration Department on the following address:

**New Zealand** : P O Box 58473, Botany, Manukau 2163, Auckland  
**Australia** : 1340 Ferntree Gully Road, Scoresby, Victoria 3179

Mr / Mrs / Miss / Ms Name: \_\_\_\_\_

Address: \_\_\_\_\_

\_\_\_\_\_ Post Code: \_\_\_\_\_

Telephone: \_\_\_\_\_ Fax: \_\_\_\_\_

Email \_\_\_\_\_

Model: \_\_\_\_\_ Serial Number: \_\_\_\_\_

Retailer: \_\_\_\_\_ Purchase Date: \_\_\_\_\_

Price: \_\_\_\_\_

Installed By: \_\_\_\_\_ Date Installed: \_\_\_\_\_

We at Glen Dimplex strive to provide you with quality products and have a continuous product development program. To help achieve our objectives to our mutual benefit we would welcome your feedback on the following questionnaire.

Question	Please tick appropriate remark			
1.General presentation of Product	<input type="checkbox"/> Excellent	<input type="checkbox"/> Good	<input type="checkbox"/> Ok	<input type="checkbox"/> Needs to Improve
2.Styling and Looks	<input type="checkbox"/> Excellent	<input type="checkbox"/> Good	<input type="checkbox"/> Ok	<input type="checkbox"/> Needs to Improve
3.Packaging	<input type="checkbox"/> Excellent	<input type="checkbox"/> Good	<input type="checkbox"/> Ok	<input type="checkbox"/> Needs to Improve
4.Is documentation easy to follow and informative?	<input type="checkbox"/> Excellent	<input type="checkbox"/> Good	<input type="checkbox"/> Ok	<input type="checkbox"/> Needs to Improve
5.Fixtures & Fittings (Loose parts)	<input type="checkbox"/> In order	<input type="checkbox"/> Items missing	<input type="checkbox"/> Needs to Improve	
6.Do you currently own Masport or Dimplex product?	<input type="checkbox"/> Yes	<input type="checkbox"/> No	Which? -	
7.Why did you decide on Masport? (tick one or more options)	<input type="checkbox"/> Knew this brand		<input type="checkbox"/> Suggested by Friend	
	<input type="checkbox"/> Dealer recommended		<input type="checkbox"/> Better Price	
	<input type="checkbox"/> Performance		<input type="checkbox"/> Features	
8.Other Comments	_____			

**Privacy Act Notice:** the owner named on the Warranty Registration consents and agrees that Glen Dimplex may retain and use the information in this warranty card, including details about the owner for marketing and development purposes. The owner also agrees that Glen Dimplex may also share purposes with [intended recipients of such information]. In accordance with the New Zealand Privacy Act 1993 and the Australian Privacy Act 1988, the owner shall have the right to request the correction of, as well as inspect, all personal information held by Glen Dimplex on that owner.

**Please cut and mail this completed form within 30 days of installation to your  
Glen Dimplex Warranty Registration Department at the above address**





## **WARRANTY FOR MASPORT MATAKANA 1200 OUTDOOR FIRE**

**This warranty is provided in New Zealand by Glen Dimplex New Zealand Ltd and in Australia by Glen Dimplex Australia Pty Ltd. (together referred to as "Glen Dimplex")**  
 This warranty is provided to the first domestic purchaser of a Masport Matakana 1200 Outdoor Fire. It applies from the date of purchase from or through an authorized Masport Fire Distributor in relation to each product or component for the period below.

TYPE OF PART	WARRANTY (In Years)	
	PARTS	LABOUR
BURNER'S STEEL FIREBOX & TRAY	2	1
STEEL SHIELDS, BRICKS & BAFFLE	1	1
ALL DOOR COMPONENTS	1	1
ACCESSORIES & OPERATIONAL CONSUMABLES (Refer Page 29)	1	1

During the warranty period, Glen Dimplex will repair or replace (at its option) any Masport Wood Fire, which is found to be defective in materials or workmanship. Repairs will be carried out by an approved Masport Heating Service Agent.

### **What is covered under this warranty?**

- Repair or replacement of parts
- Labor costs relating to the Wood Burner
- Reasonable transport or travel costs.

**Consumers may have additional rights under the Consumer Guarantees Act 1993 (New Zealand) or the Australian Trade Practices Act 1974, including the Australian Consumer Law.**

### **Conditions**

This warranty does not apply and will be void where:

- The Wood Burner is not installed in accordance with AS/NZS2918/:2001 or any building code or consent;
- The Wood Burner is not installed by a qualified specialist installer;
- Any electrical work has not been carried out by a Registered Electrician;
- The Wood Burner has been moved and reinstalled or has been modified in a manner that is not consistent with the Installation Guide or the Owner's Manual;
- The Wood Burner has not been installed, operated, or maintained according to the Installation and Operations Manual;
- The Wood Burner is acquired for business use in any way.

## What is not covered?

- Wear and tear under normal use on steel firebox components and cast-iron components.
- Labor costs relating exclusively to components not manufactured by Glen Dimplex.
- Damage caused by incorrect use or the burning of treated or painted wood, driftwood, or other fuels which are not recommended;
- Travel costs for a distance greater than 50 km from the nearest approved Masport Heating Service Agent. (The location of the Wood Fire must be advised to Glen Dimplex or its sales agents at the time of purchase or using warranty registration form)
- Defects, malfunctions, or failures caused by incorrect installation, poor installation, normal wear and tear, misuse, neglect, accidental damage, or failure to follow operating instructions in the Owner's Manual (including fuel selection, product operation, and maintenance instructions), repairs or modifications by persons not authorized by Glen Dimplex, use of parts not supplied by Glen Dimplex, or damage or other events which have occurred since the product left the control of Glen Dimplex.
- Direct, indirect, or consequential losses or special damages of any kind (including costs of collection and delivery) other than repair or replacement of products or components under this warranty, where any goods are acquired or used for the purposes of a business;
- Any damage that occurred after the delivery of the product.
- Damage caused by abnormally corrosive environments (e.g., sea salt corrosion)
- Any rust damage, discoloration, or corrosion in any part of the fire over the life of the fire.
- Paint blemishes or imperfections due to the uneven nature of high-temperature paint in any part of the fire over the life of the fire. (A spray can of touch up paint is available through Glen Dimplex or authorized dealer network)
- Damage caused by the elements affecting the outdoor fire (e.g., Rain/water)
- Any changes, discoloration, or cracking in the fire's interior or exterior surfaces caused by thermal stress, overloading of fuel, or overfiring of the fire.
- Changes in the interior/exterior surface finish, discoloration of the fire, its components or flue caused by soot or built-in residues of burnt materials, thermal stress, or overloading.

## How to obtain warranty service?

- Completed Warranty registration form (previous page) needs to be mailed within 30 days of installation to your Glen Dimplex Warranty Registration Department.
- Warranty Claims must be made at the place of purchase.
- Reasonable proof of purchase date is required to make a warranty claim. You should keep your purchase receipt.
- Warranty repair will be completed according to the normal work practices of the service agent.
- Make the faulty part(s) available to Glen Dimplex for inspection so that the validity of the claim can be established by them.

### **Manufactured in New Zealand by:**

#### **GLEN DIMPLEX NEW ZEALAND LTD**

NZ Registration No – 1506305

P.O. Box 58473, Botany, Manukau, Auckland 2163

Phone: 0800 666 2824 Fax : 09 274 8472

Email : [sales@glendimplex.co.nz](mailto:sales@glendimplex.co.nz)

Web : [www.glendimplex.co.nz](http://www.glendimplex.co.nz)

Glen Dimplex New Zealand Ltd reserves the right to change specifications, the content of this manual, or the design of its product without prior notice.